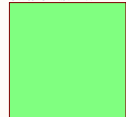
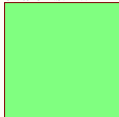


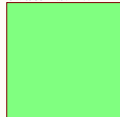
1  
CW0913T2.SchDoc



2  
CW0923T2.SchDoc



3  
CW0933T2.SchDoc



Description:

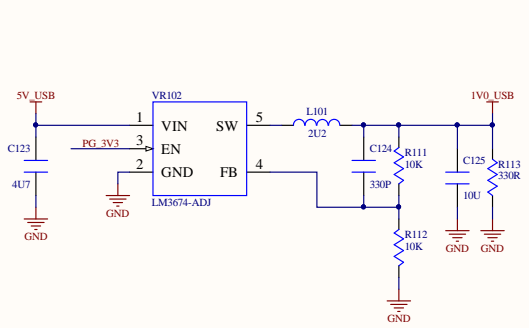
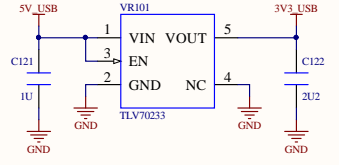
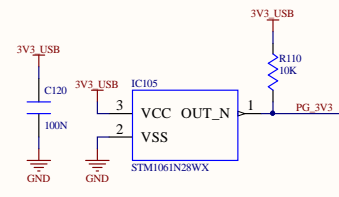
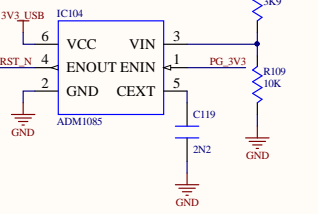
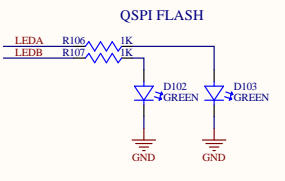
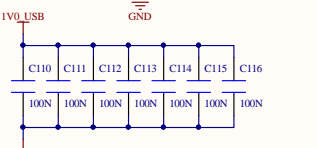
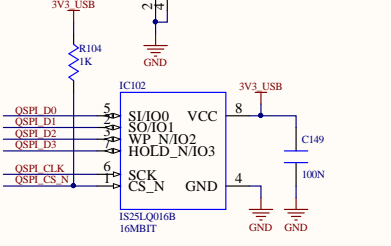
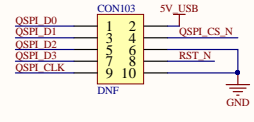
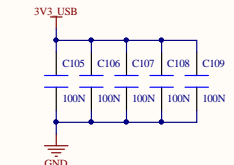
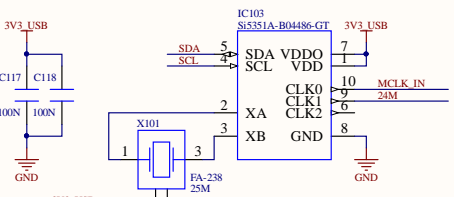
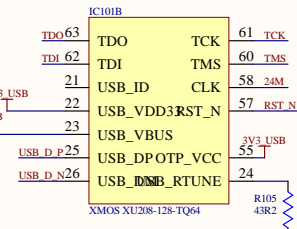
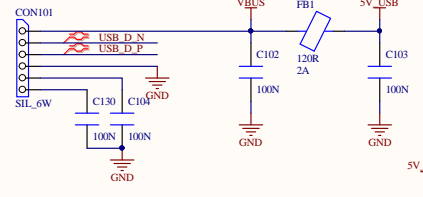
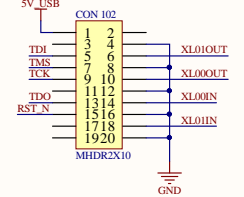
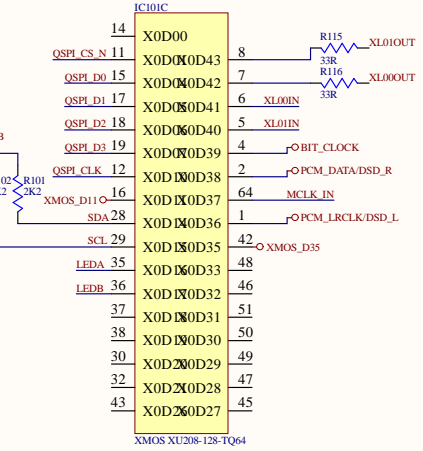
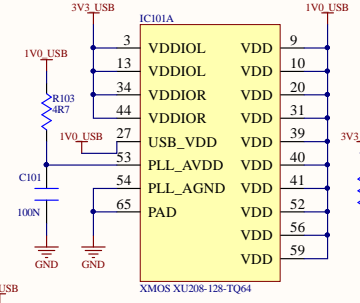
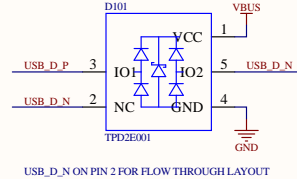
Sheet  
**1**

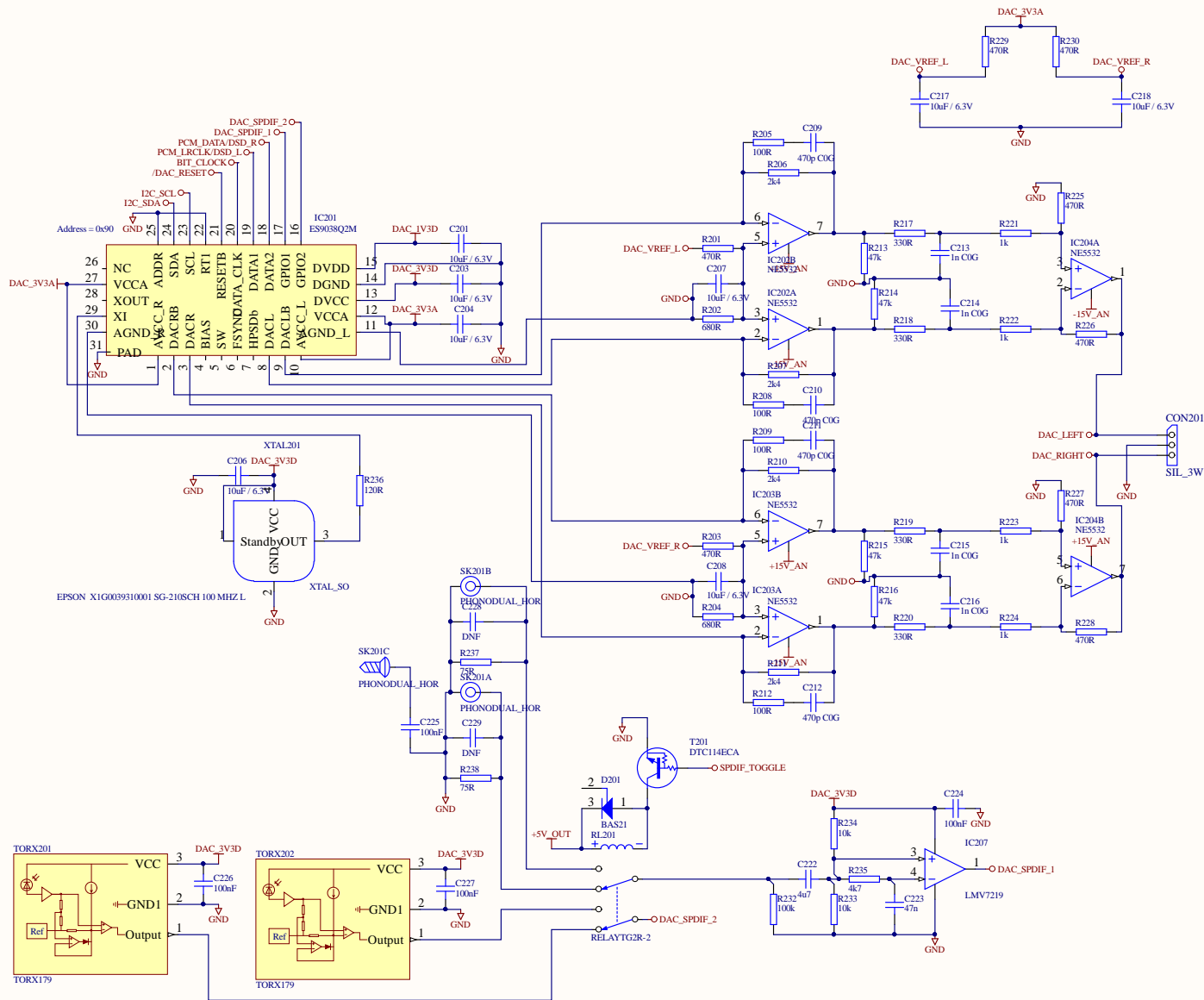
Issue: 2  
Drawn date:  
Print date: 01-Dec-20

**CYRUS**®  
Huntingdon, United Kingdom.  
This drawing is the intellectual property of Cyrus Audio Ltd.

Drawn by: CW  
Approved by:  
File Name: CW0903T2.SchDoc







Description:

Sheet  
4

Issue: 2  
 Drawn date: 01-Dec-20  
 Print date: 01-Dec-20  
 Sheet 4 of 4

**CYRUS**®  
 Huntingdon, United Kingdom.  
 This drawing is the intellectual property of Cyrus Audio Ltd.

Drawn by: CW  
 Approved by:  
 File Name: CW0923T2.SchDoc

Path: C:\Users\jig36rd\Cyrus Audio Ltd\Cyrus R&D - Documents\Work in Progress