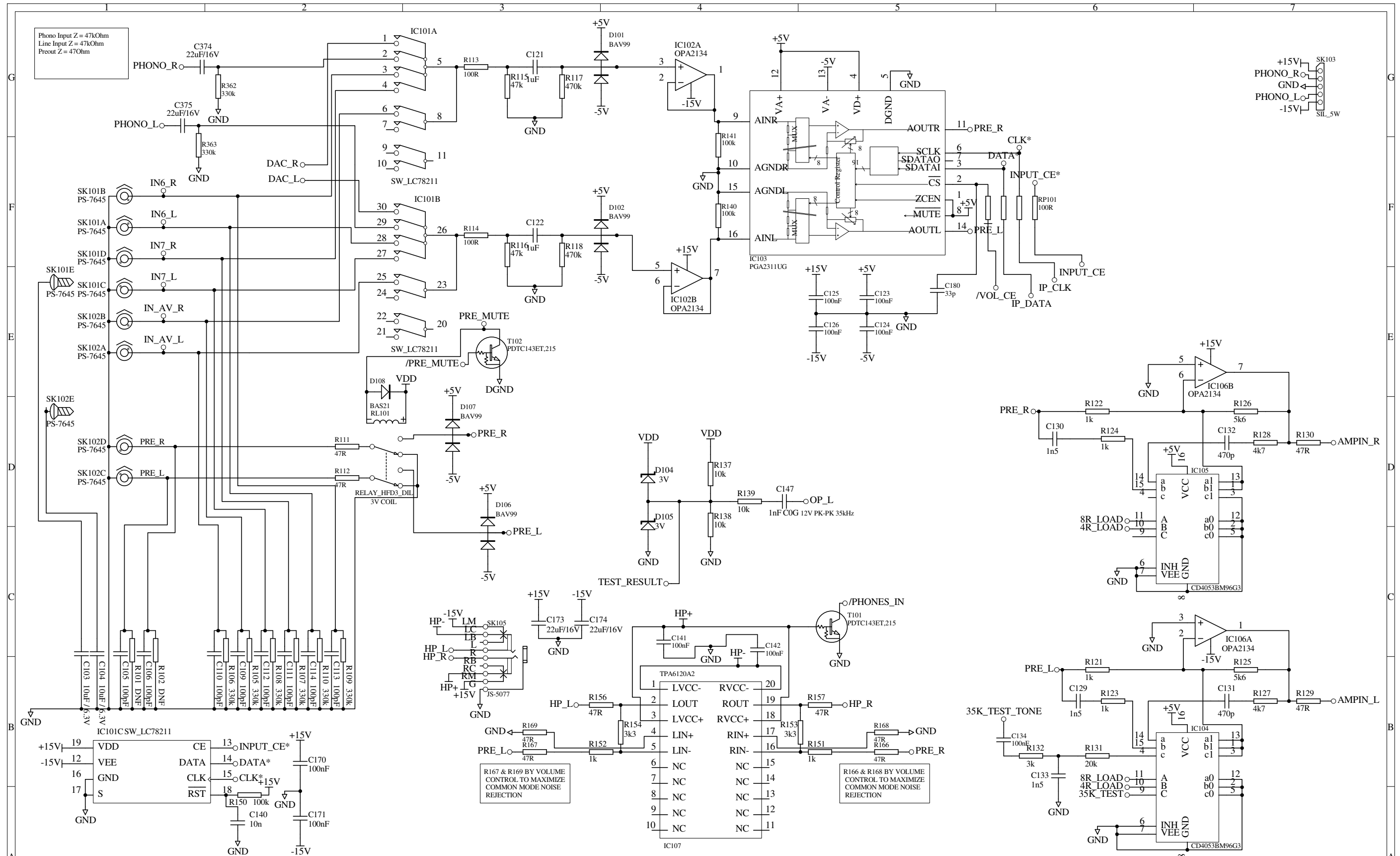


Description:

Sheet 0	Issue:	0	Huntingdon, United Kingdom. This drawing is the intellectual property of Cyrus Audio Ltd.	Drawn by:	CW
	Drawn date:			Approved by:	
	Print date:	18-Jan-2018		File Name:	CW0307R0
	Sheet 0 of 7	Title: CW03 - CYRUS ONE DAC		Path:	B:\Local MWork in Progress\CW03 - Cyrus One D\ss 0\CAD\CW0314R0.ddb - Documents\C



Phono Input Z = 47kOhm
Line Input Z = 47kOhm
Preout Z = 470hm

R167 & R169 BY VOLUME CONTROL TO MAXIMIZE COMMON MODE NOISE REJECTION

R166 & R168 BY VOLUME CONTROL TO MAXIMIZE COMMON MODE NOISE REJECTION

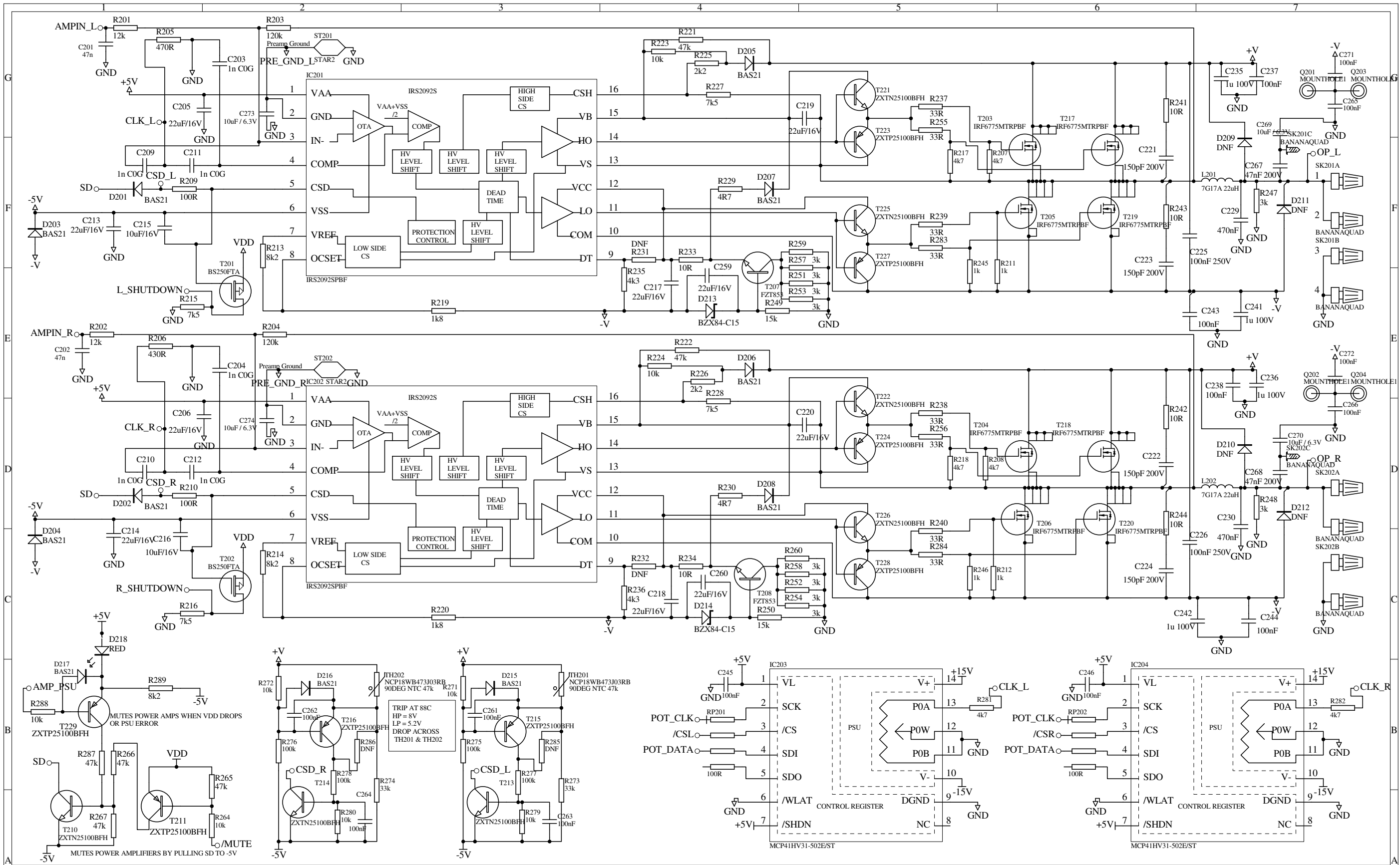
Description:

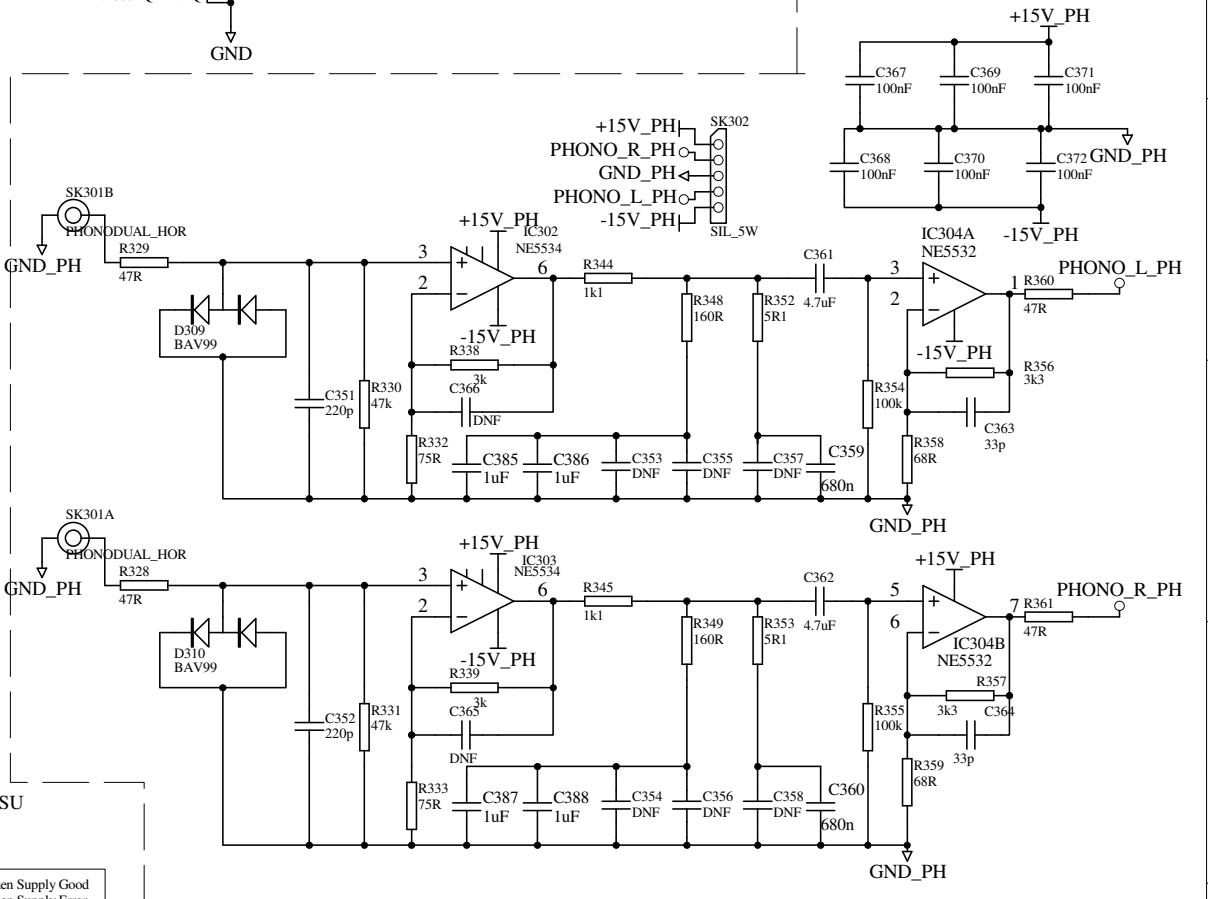
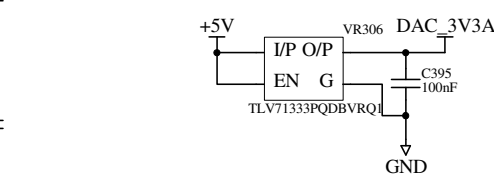
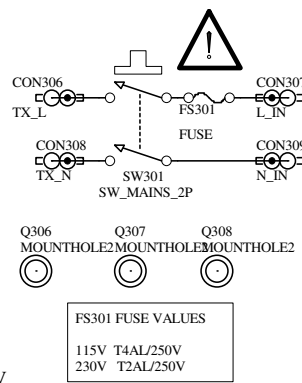
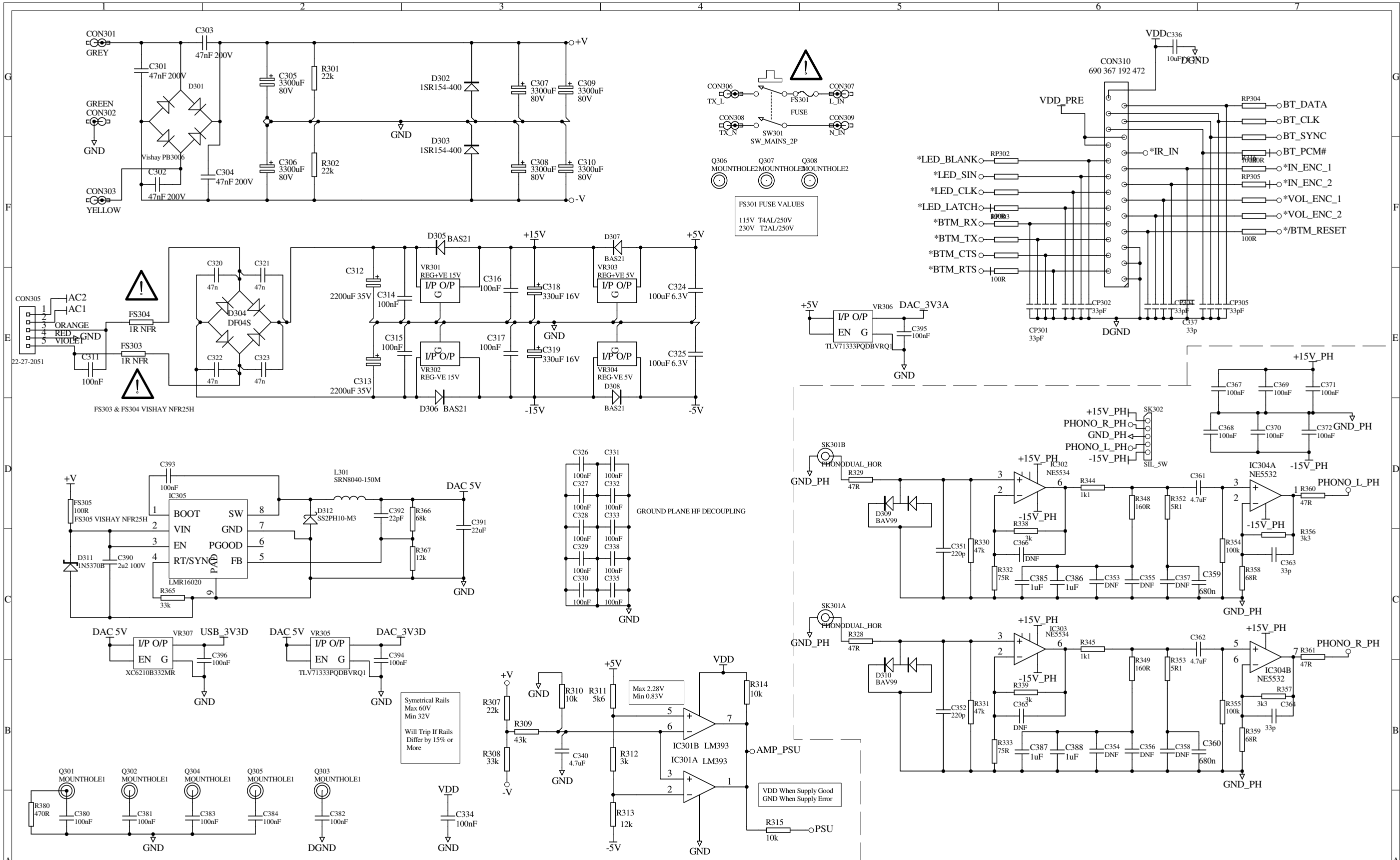
Sheet 1

Issue:	0
Print date:	18-Jan-2018
Sheet 1 of 7	Title: Input Selection, Preamp & Head

CYRUS®
Huntingdon, United Kingdom.
This drawing is the intellectual property of Cyrus Audio Ltd.

Drawn by:	CW
Approved by:	
File Name:	CW0317R0





Symmetrical Rails
Max 60V
Min 32V
Will Trip If Rails
Differ by 15% or
More

Max 2.28V
Min 0.83V

VDD When Supply Good
GND When Supply Error

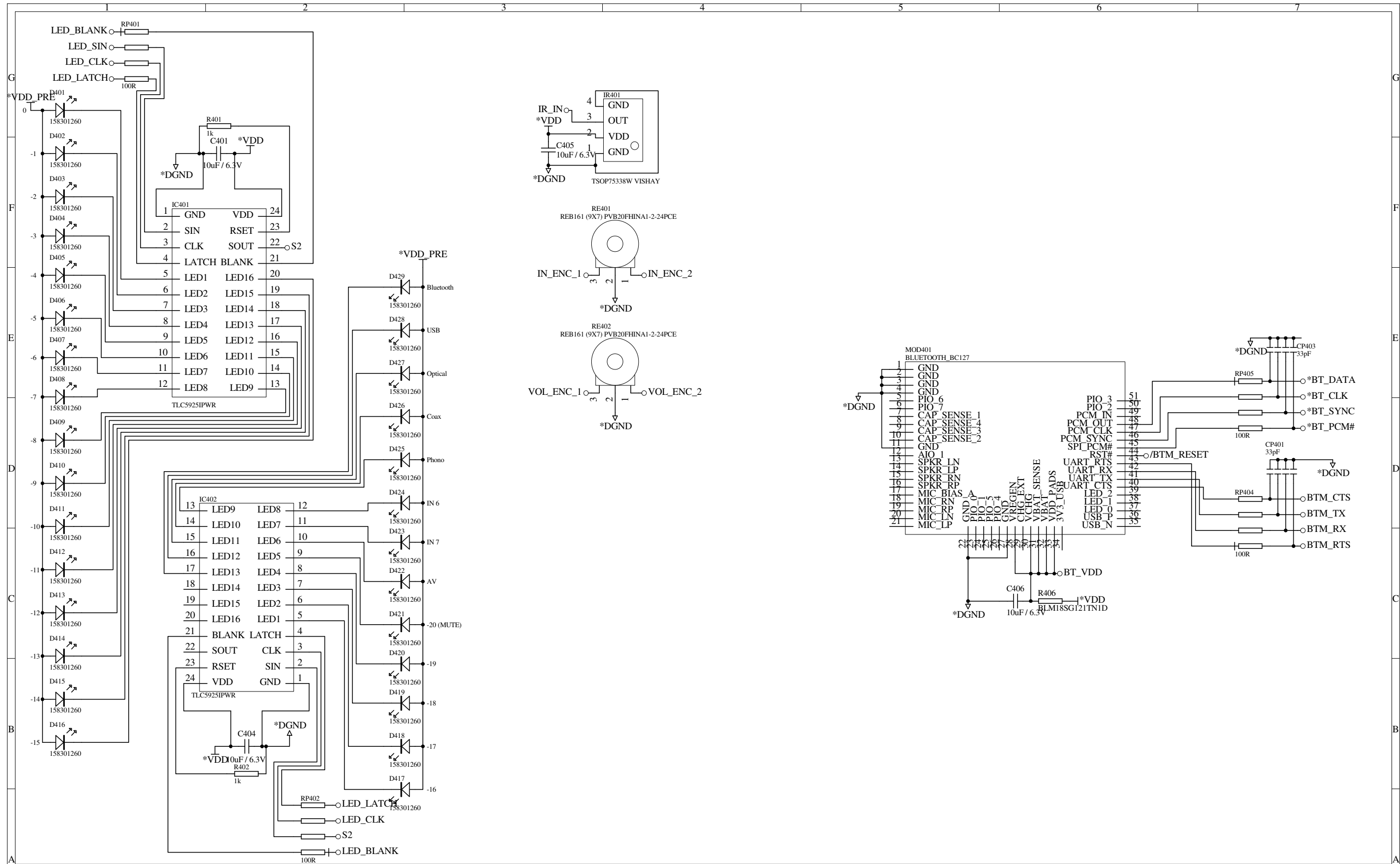
Description:

Sheet
3

Issue: 0
Drawn date: 18-Jan-2018
Print date: 18-Jan-2018

CYRUS®
Huntingdon, United Kingdom.
This drawing is the intellectual property of Cyrus Audio Ltd.

Drawn by: CW
Approved by: CW0337R0
File Name: CW0337R0



Description:

Sheet 4

Issue:	0
Drawn date:	
Print date:	18-Jan-2018
Sheet 4 of 7	Title: Display, Bluetooth

CYRUS®
 This drawing is the intellectual property of Cyrus Audio Ltd.
 Huntingdon, United Kingdom.

Drawn by:	CW
Approved by:	
File Name:	CW0347R0

