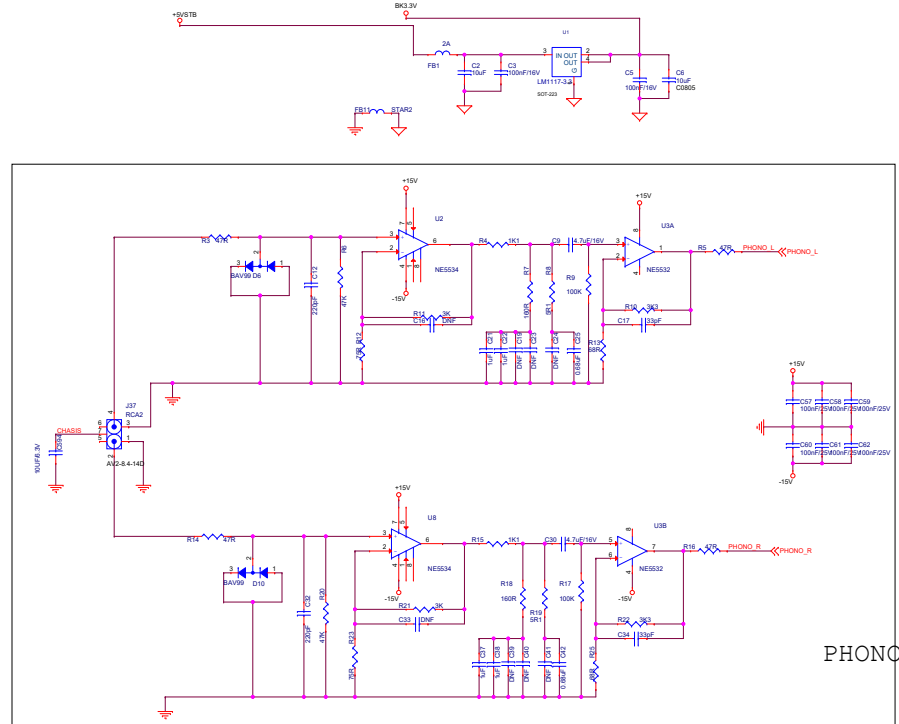
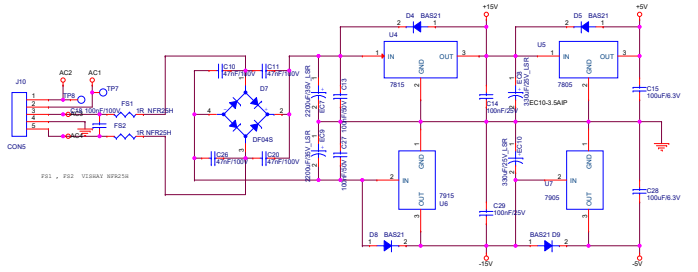
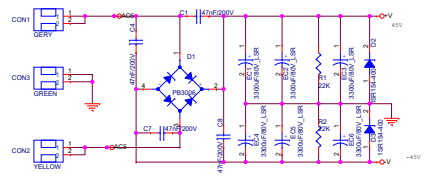
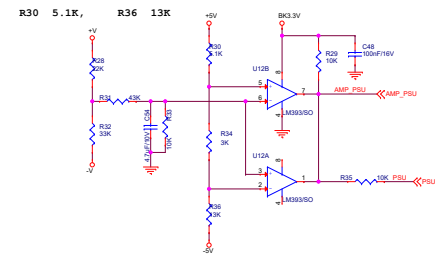


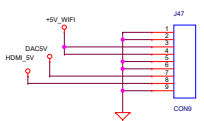
<b>CYRUS ONE STREAM</b>		
Title POWER TREE		
Size C	Document Number <Doc>	Rev 0.1
Date: Wednesday, July 10, 2019	Sheet 1 of 8	



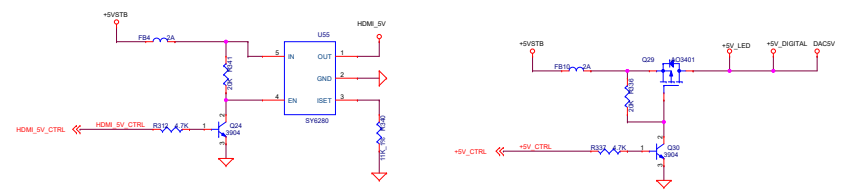
PHONO



VDD When Supply Good  
GND When Supply Error



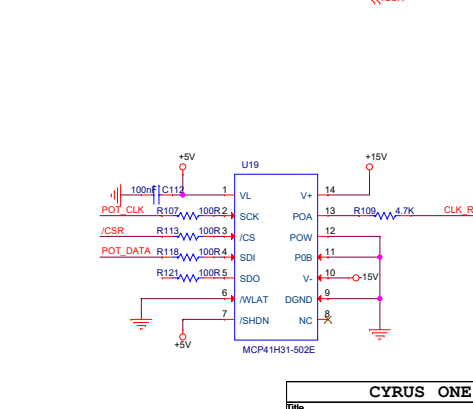
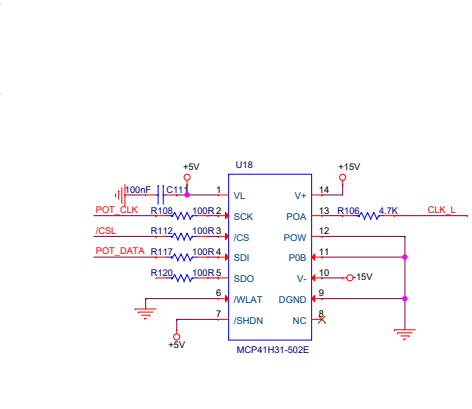
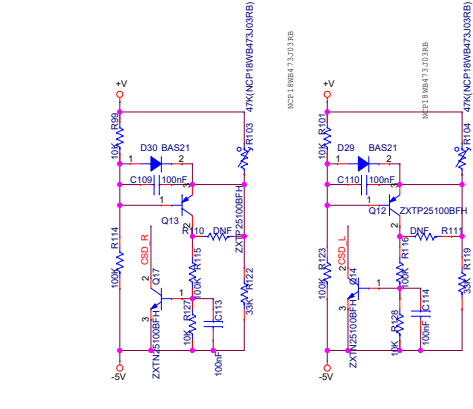
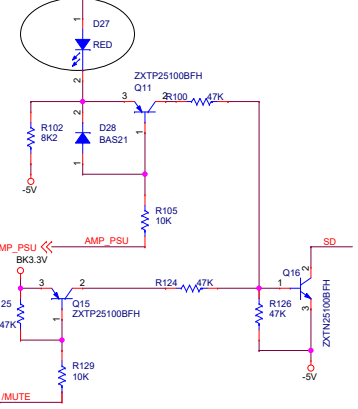
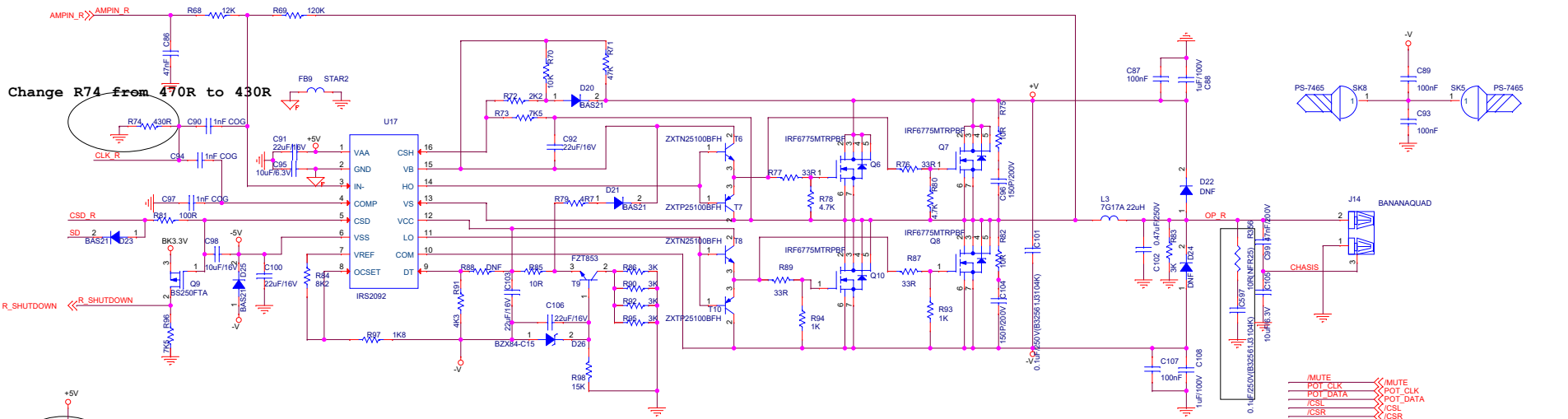
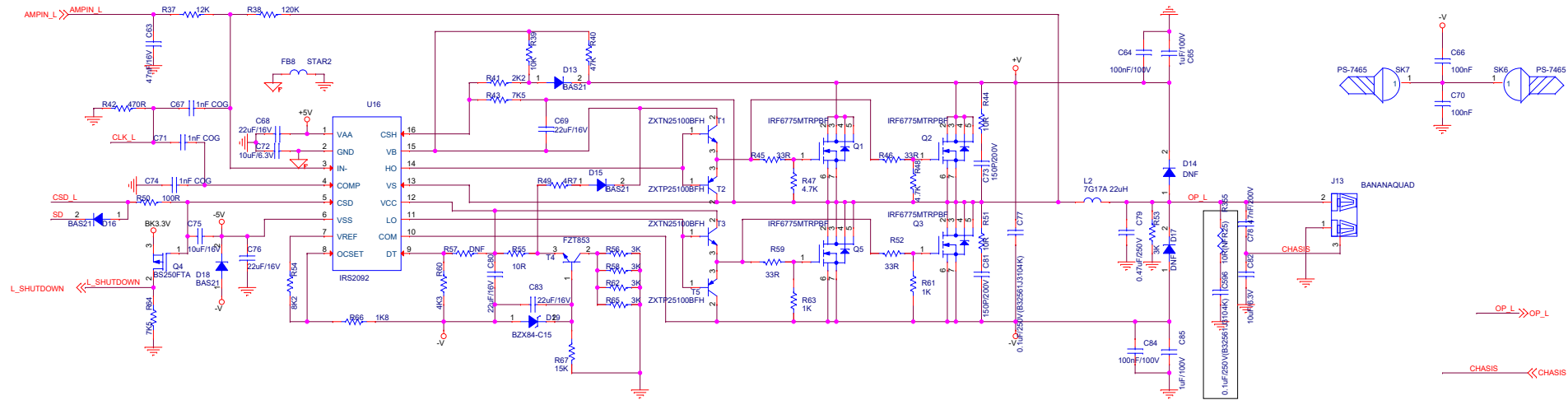
GROUND PLANE BYPASS DECOUPLING



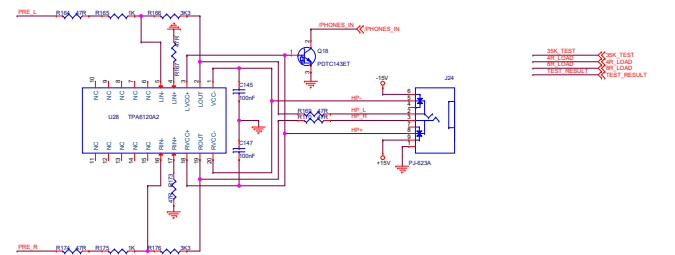
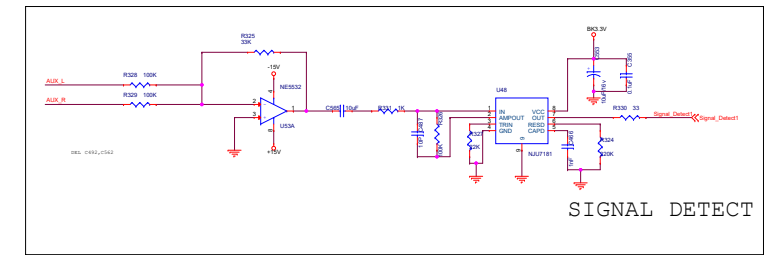
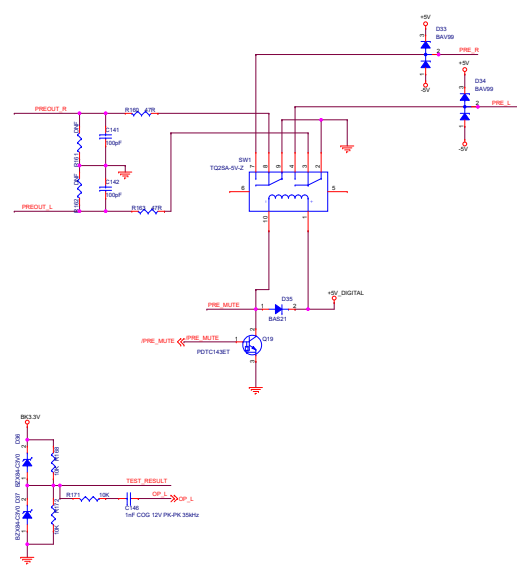
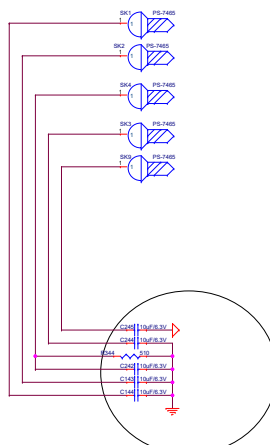
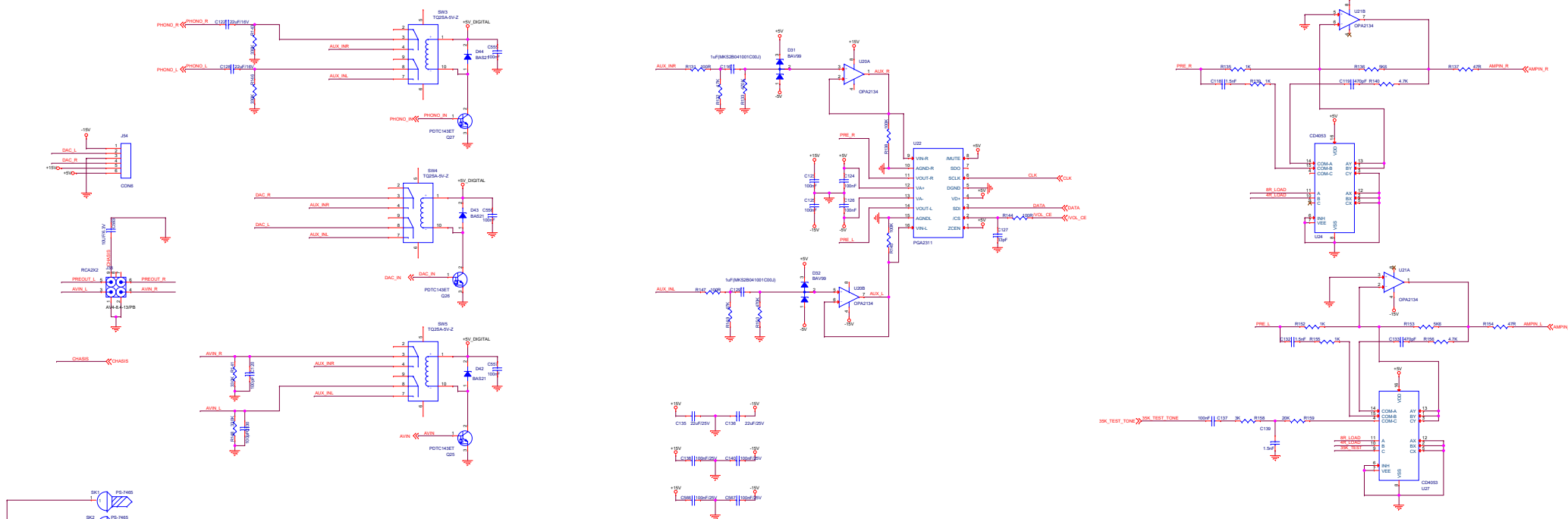
WIFI\_5V\_CTRL

- M4 - 1
- M6 - 1
- M7 - 1

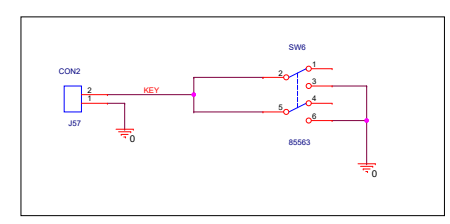
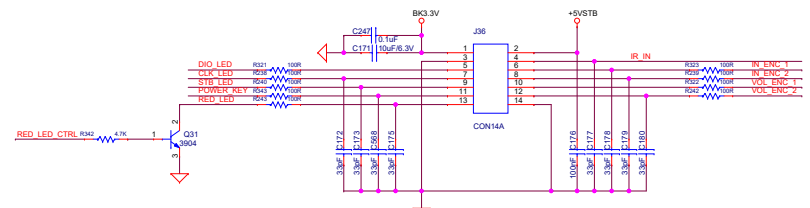
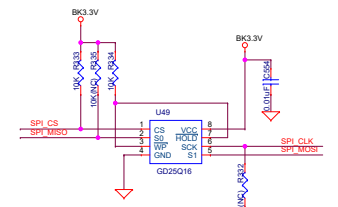
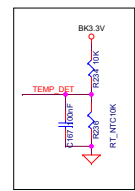
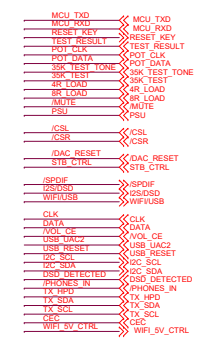
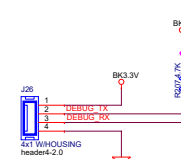
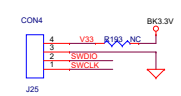
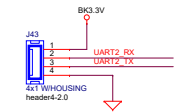
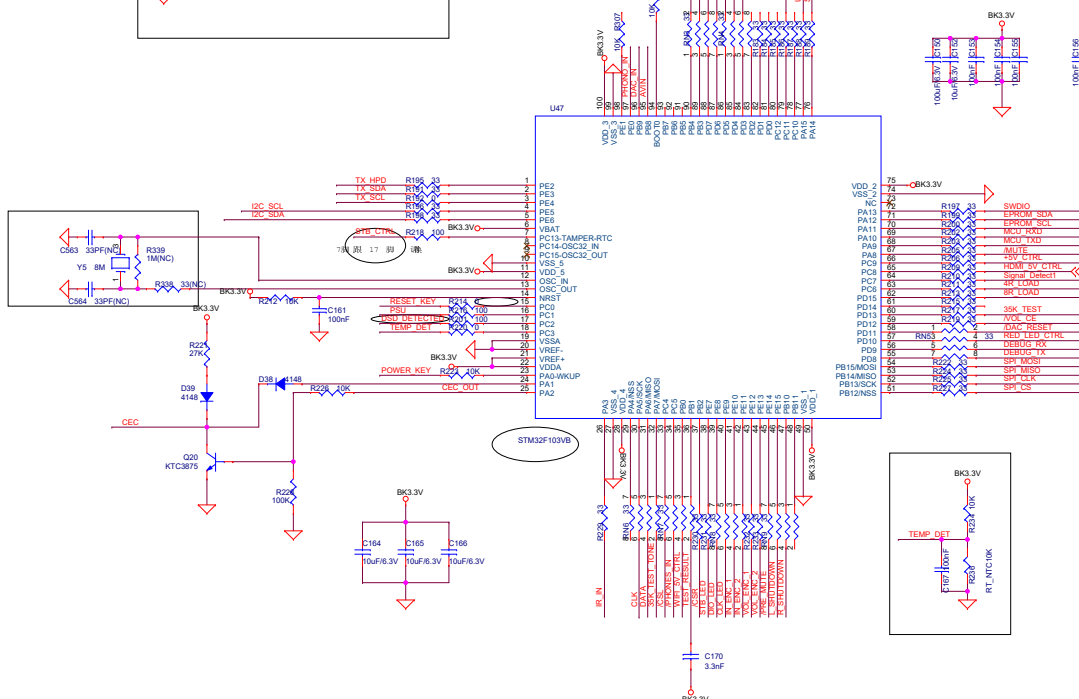
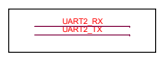
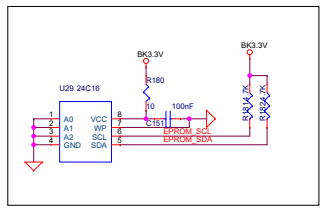
CYRUS ONE STREAM			
File	POWER		
Rev	Document Number		Rev
Change	Doc		0.2
Date	Wednesday, 1/27/2019	Sheet	2 of 2



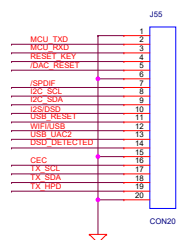
CYRUS ONE STREAM			
Title	AMP		
Size	Document Number	Rev	
C	<Doc>	0.2	
Date:	Wednesday, July 10, 2019	Sheet	3 of 8

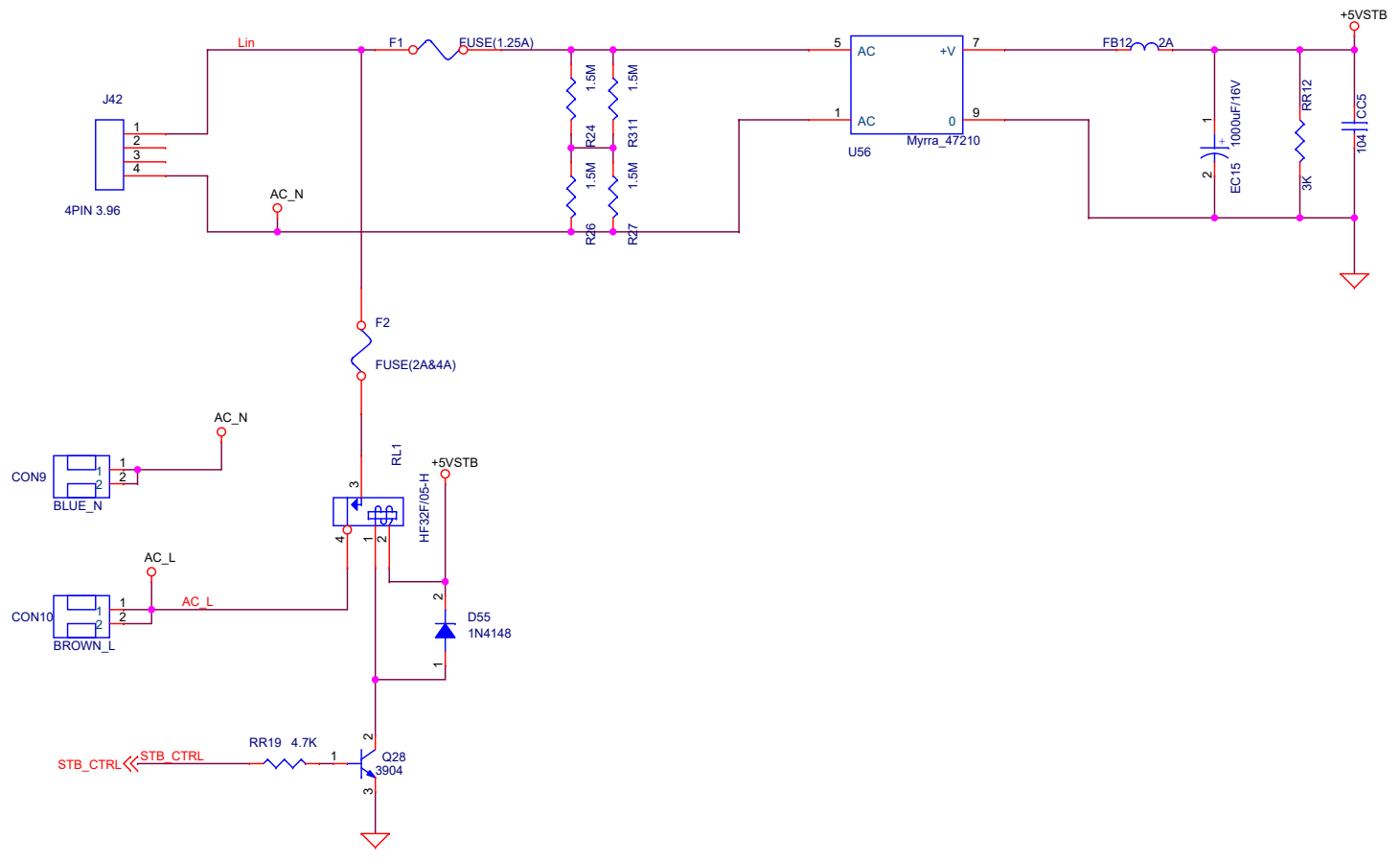


CYRUS ONE STREAM	
REV	SOURCE
01	Document Number
01	Doc=0100
01	Version= 2014.05.02
01	Sheet 4 of 4

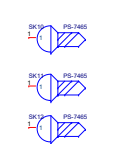
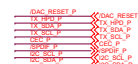
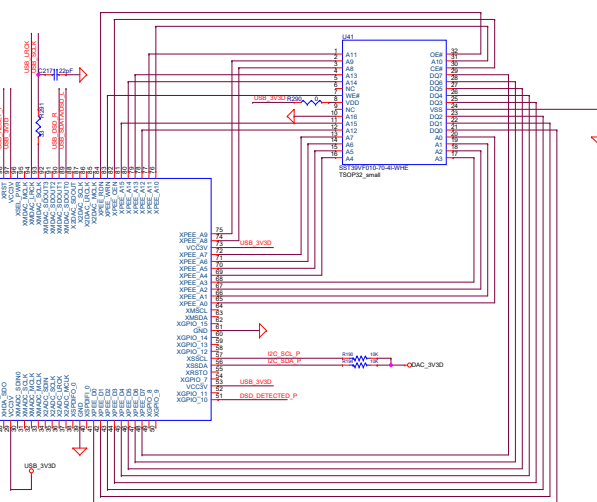
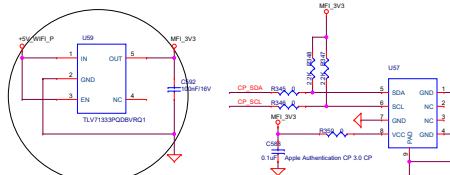
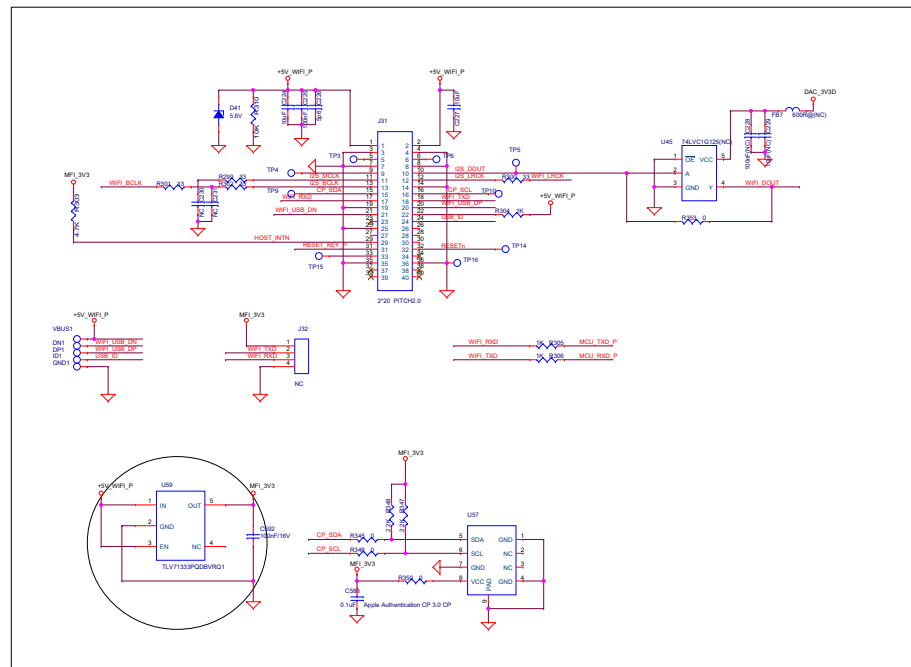
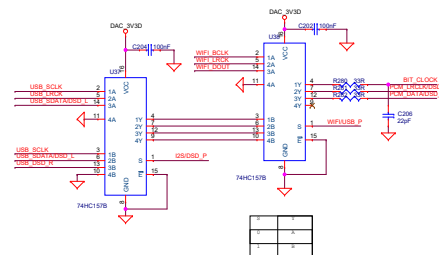
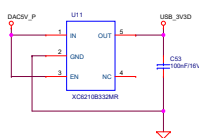
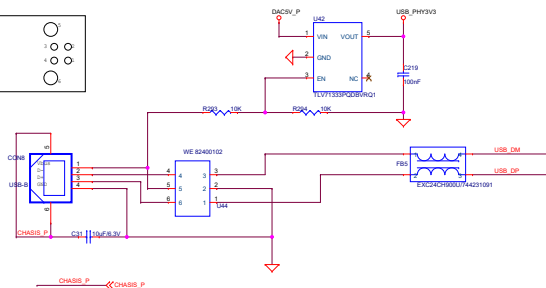
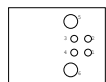


CYRUS ONE STREAM

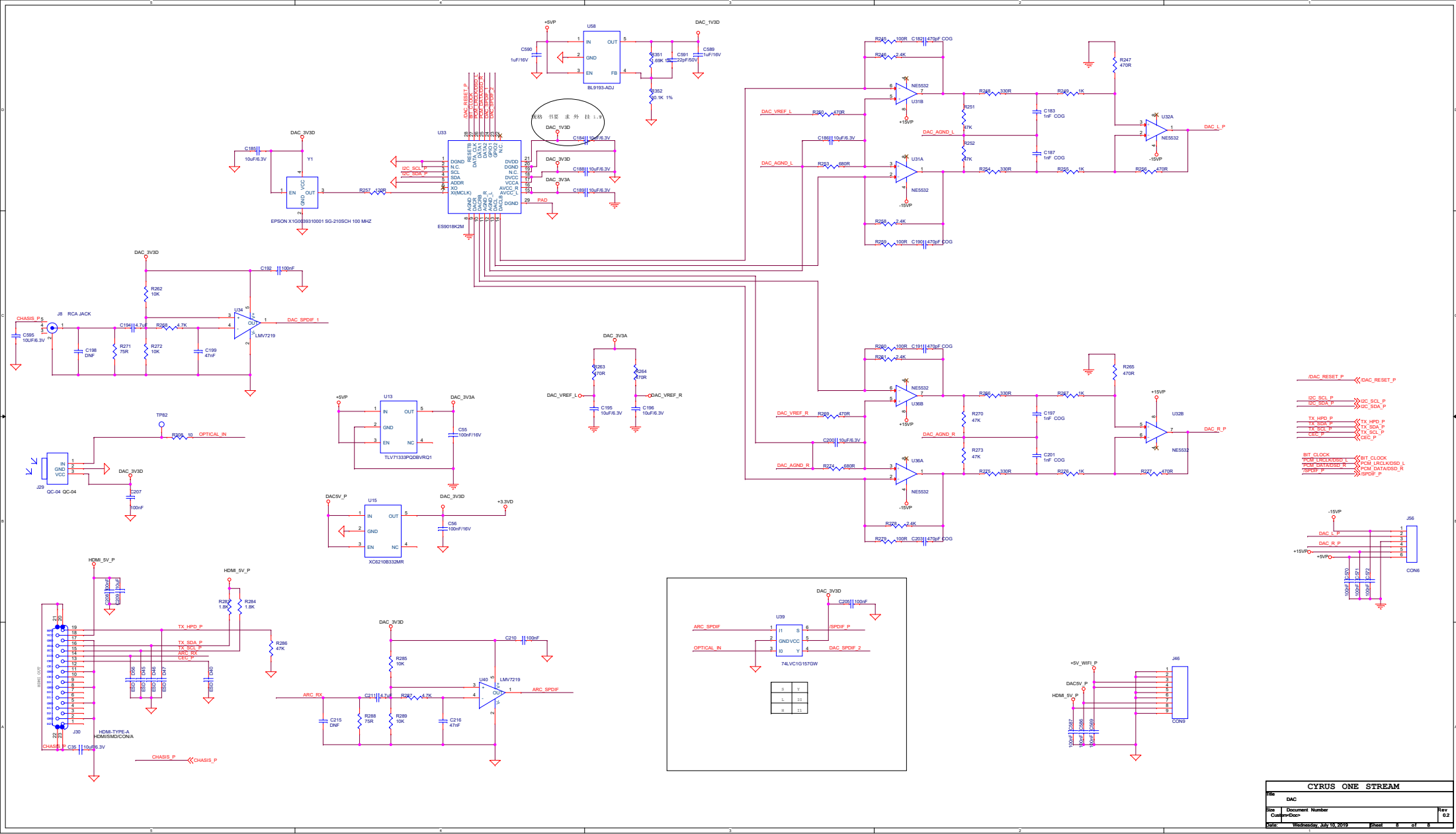




Title		
POWER BOARD		
Size	Document Number	Rev
B	<Doc>	0.2
Date:	Wednesday, July 10, 2019	Sheet 6 of 8



File	USB_AUDIO
Rev	02
Document Number	USB_AUDIO
Customer/Doc#	USB_AUDIO
Date	Wednesday, July 16, 2019
Sheet	7 of 8



CYRUS ONE STREAM			
Rev	DAC	Document Number	Rev 02
Comp	Project	Date	Wednesday, July 10, 2019
Sheet	8	of	8