

IS08 DAC

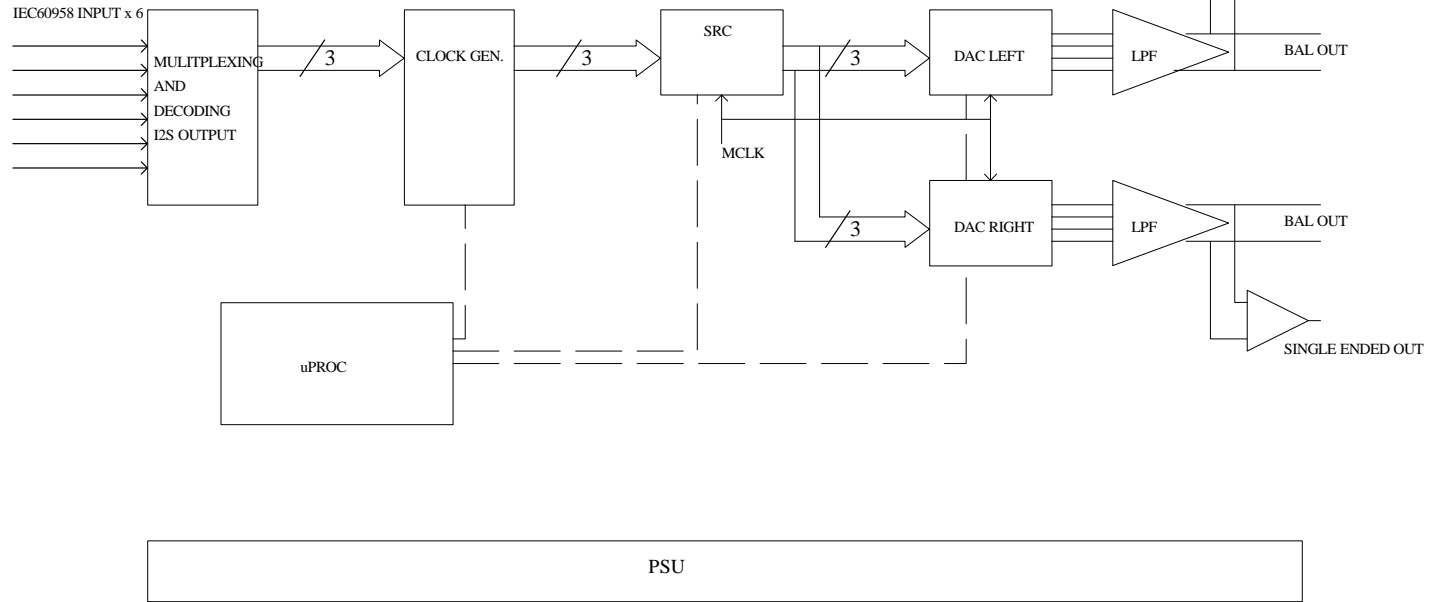
DAC XP SIG DIG1
DAC XP SIG DIG1.sch

DAC XP SIG DIG2
DAC XP SIG DIG2.sch

DAC XP SIG DIG3
DAC XP SIG DIG3.sch

DAC XP SIG DIG4
DAC XP SIG DIG4.sch

DAC XP SIG DIG5
DAC XP SIG DIG5.sch



RIGHT CHANNEL

DAC XP SIG DIG6
DAC XP SIG DIG6.sch

DAC XP SIG DIG7
DAC XP SIG DIG7.sch

LEFT CHANNEL

DAC XP SIG DIG8
DAC XP SIG DIG8.sch

DAC XP SIG DIG9
DAC XP SIG DIG9.sch

BALANCED OUTPUT

DAC XP SIG DIG10
DAC XP SIG DIG10.sch

SRC

DAC XP SIG DIG11
DAC XP SIG DIG11.sch

Description:

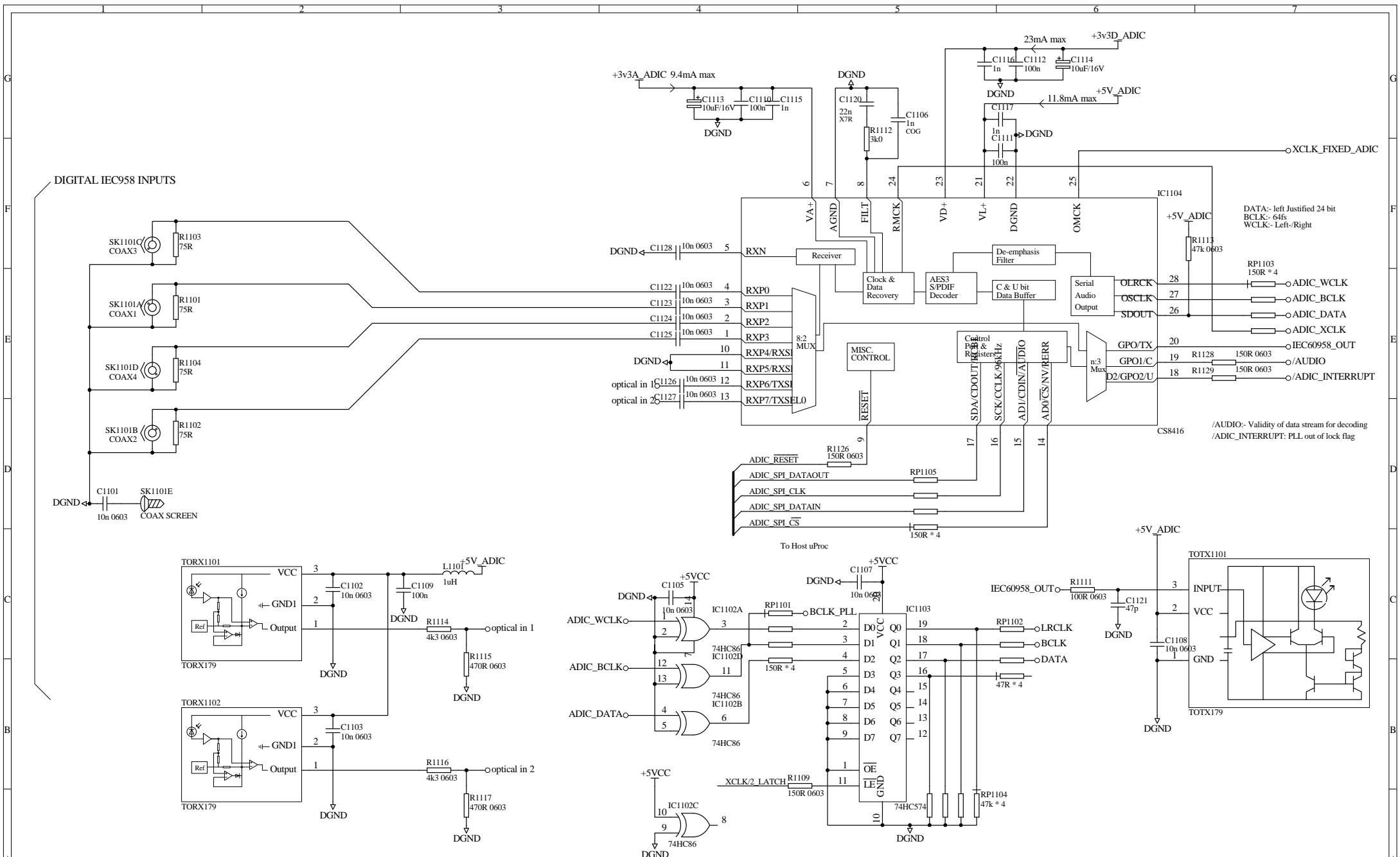
Sheet
0

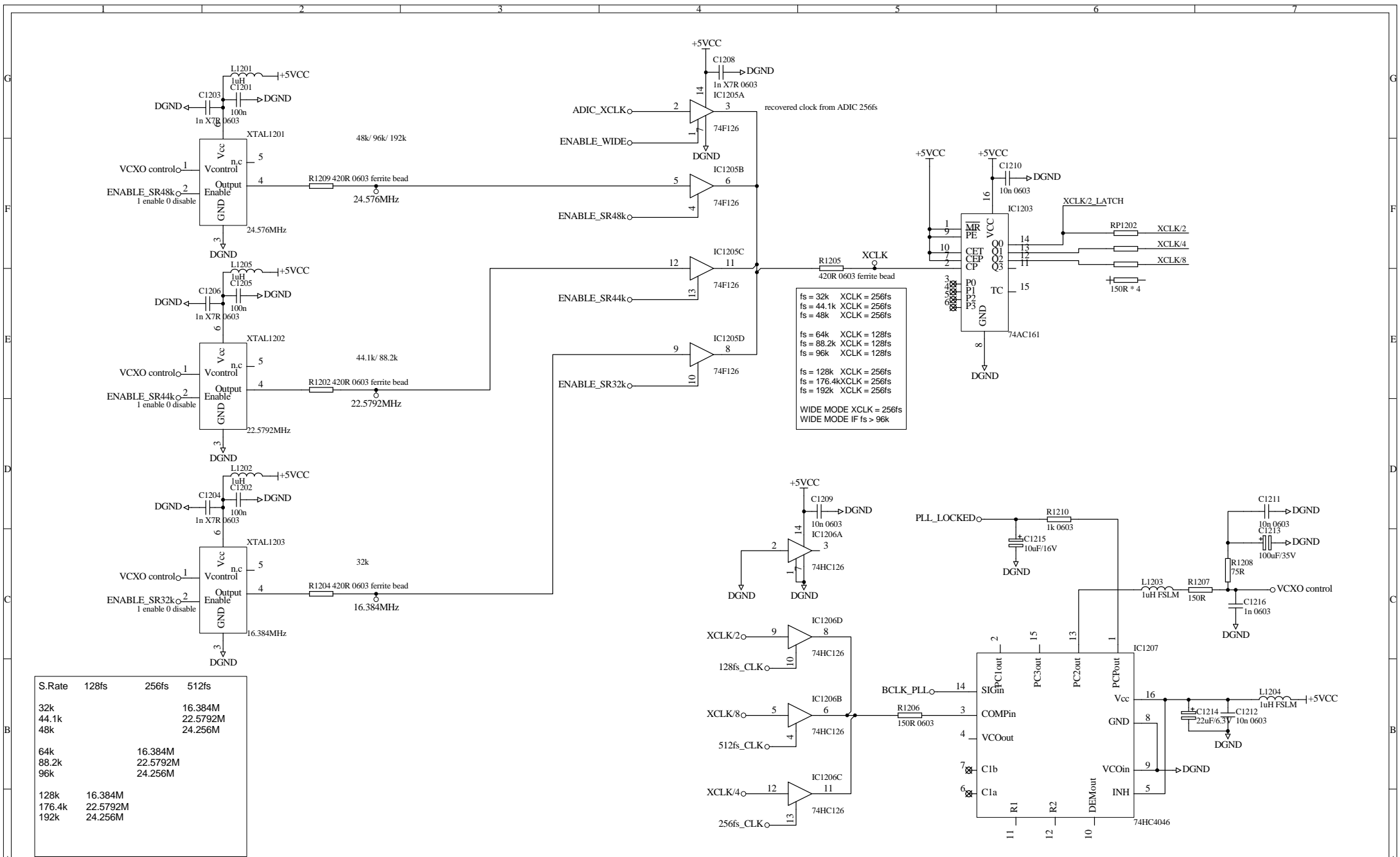
Issue: 3
Drawn date:
Print date: 3-Apr-2017
Sheet 0 of 0 Title: DAC X

CYRUS® Huntingdon, United Kingdom.
This drawing is the intellectual property of Cyrus Electronics Ltd.

Drawn by:
Approved by:
File Name: DAC_XP_SIG_DIG0

Path: M:\Martyn\DAC XP SIG DIG.ddb - DAC_XP_SIG_DIG0





Description: ALL 10nF DECOUPLING CAPS 0603 50V X7R 10% tol
 ALL 100R RESISTORS 0603 5% tol

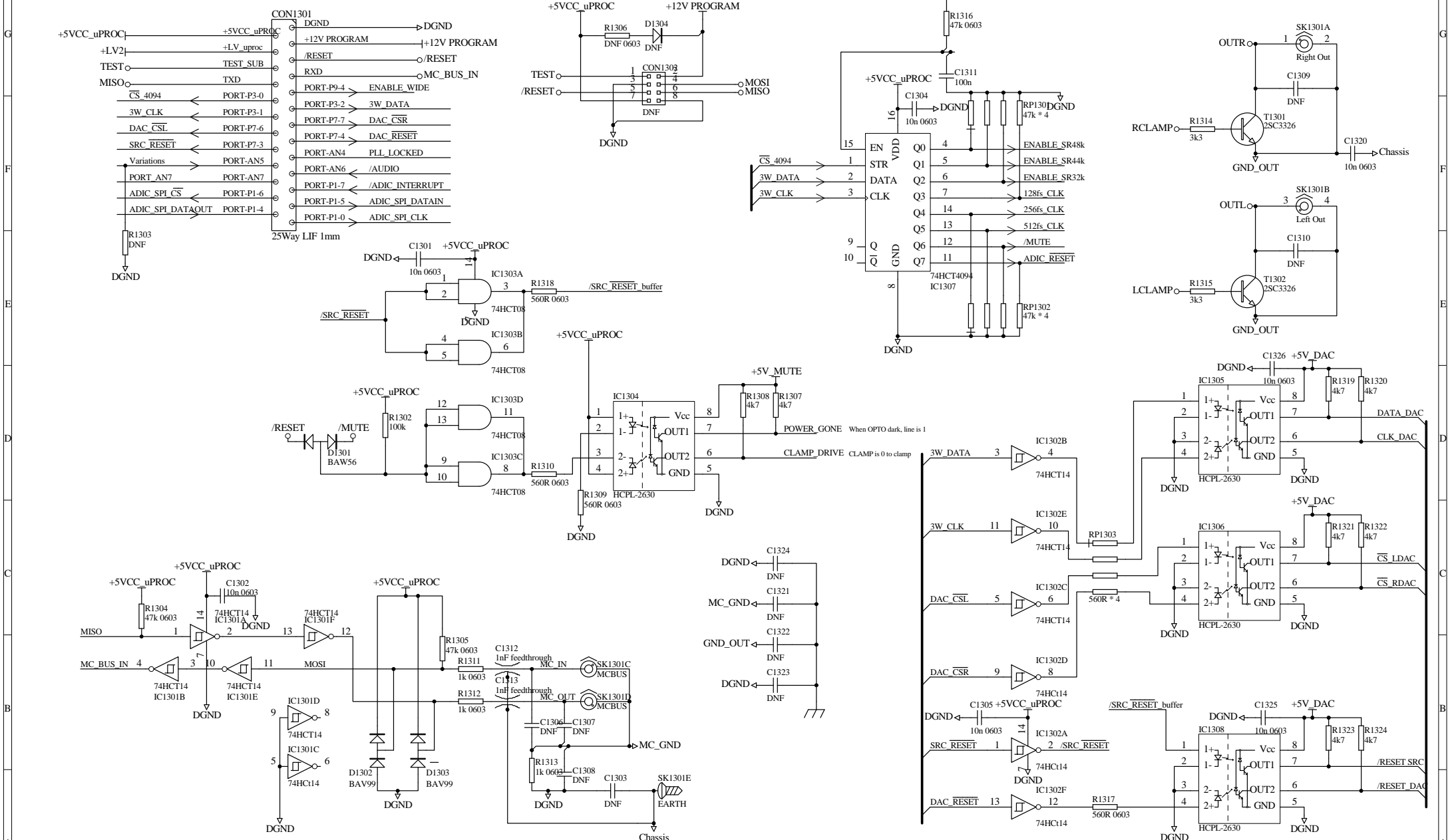
Sheet 2

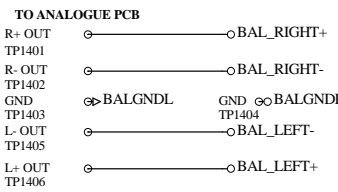
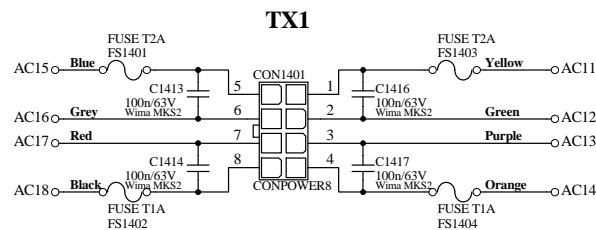
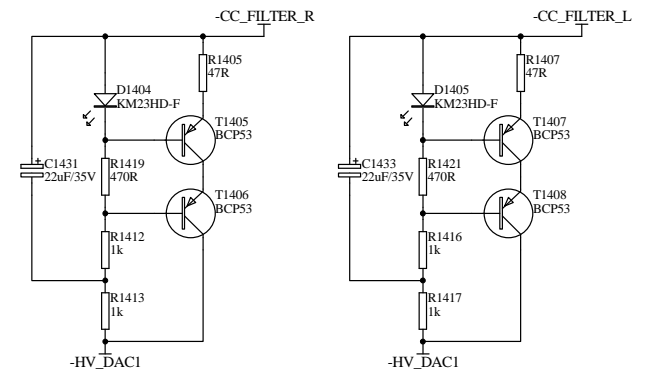
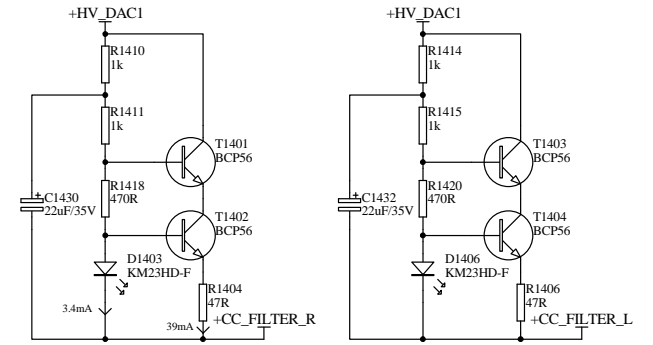
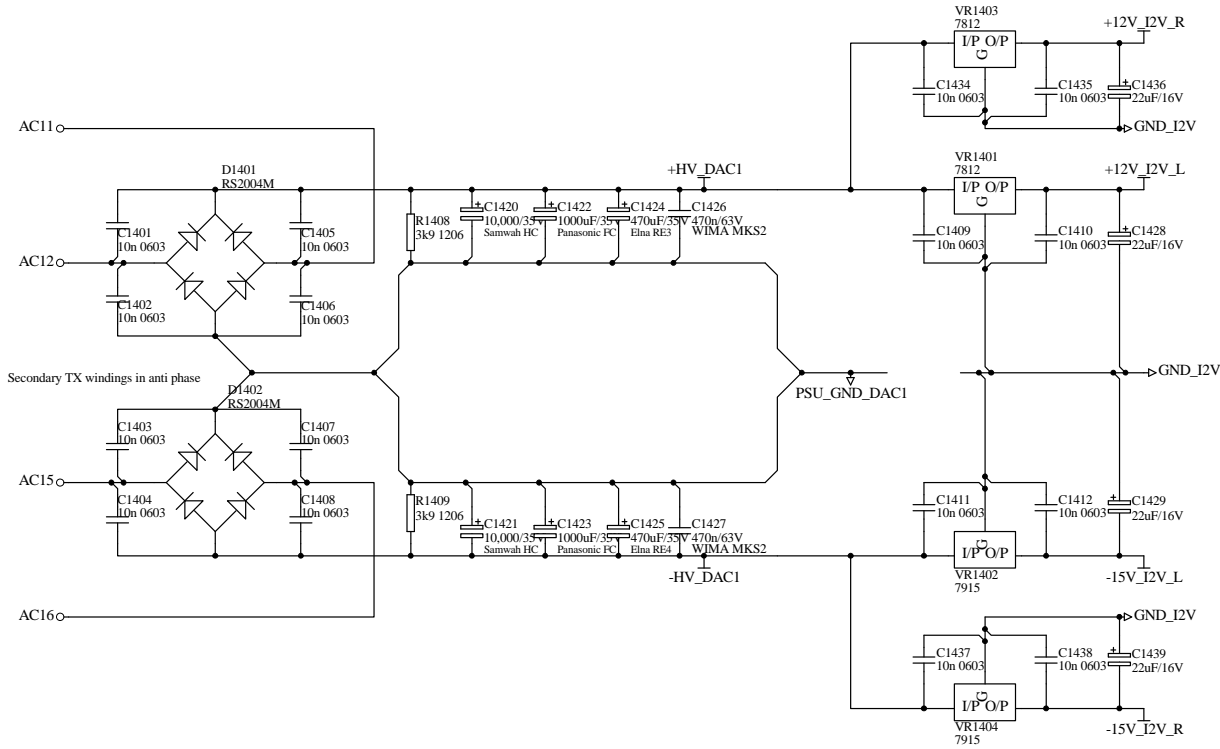
Issue: 4
 Drawn date: 31-3-98
 Print date: 3-Apr-2017
 Sheet 2 of 12

CYRUS Huntingdon, United Kingdom.
 This drawing is the intellectual property of Cyrus Electronics Ltd.
 Path: M:\Martyn\DAC XP SIG DIG.ddb - DAC XP SIG DIG2

Drawn by: IPS
 Approved by: [Signature]
 File Name: DAC XP SIG DIG2

Primary main board connection





Description: SAFETY CRITICAL COMPONENT
REPLACE WITH APPROVED PART



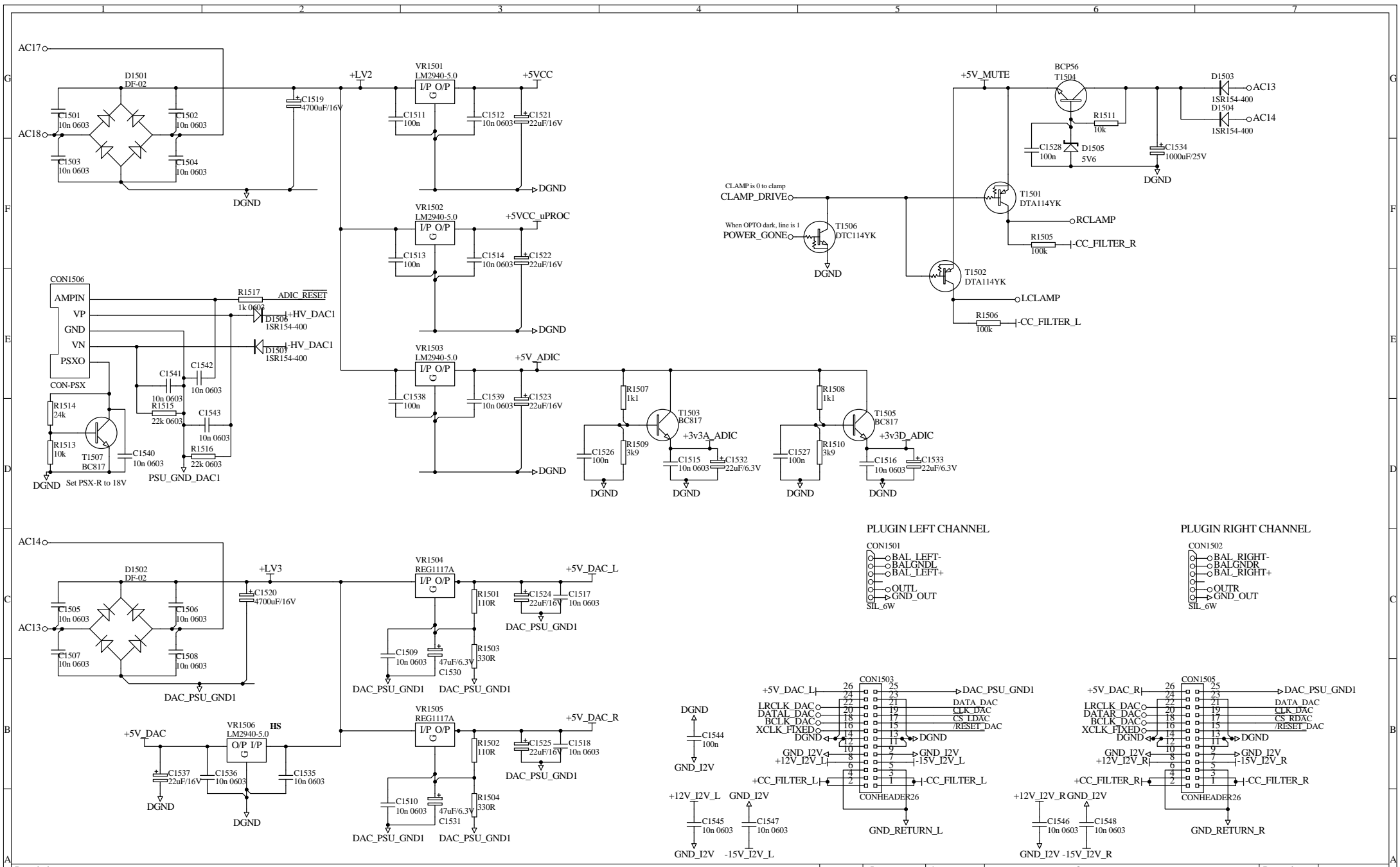
Sheet 4

Issue: 4
 Drawn date: 3-Apr-2017
 Print date: 3-Apr-2017
 Sheet 4 of 12

CYRUS® Huntingdon, United Kingdom.
 This drawing is the intellectual property of Cyrus Electronics Ltd.
 Path: M:\Martyn\DAC XP SIG DIG.ddb - DAC XP SIG DIG4

Drawn by:
 Approved by:
 File Name: DAC XP SIG DIG4

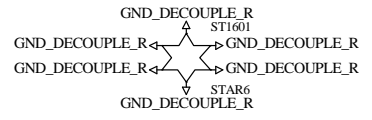
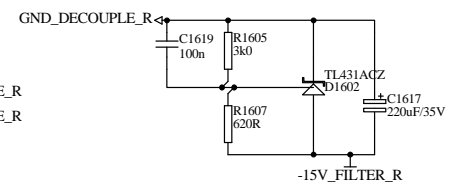
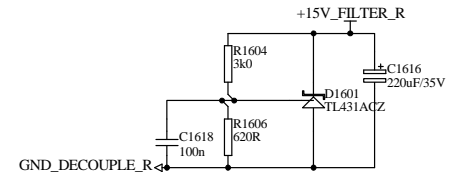
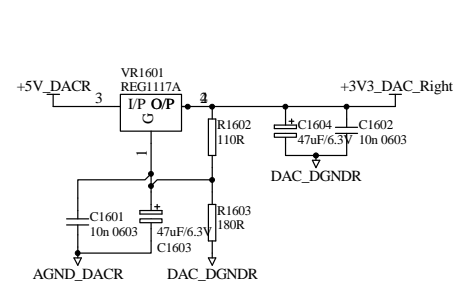
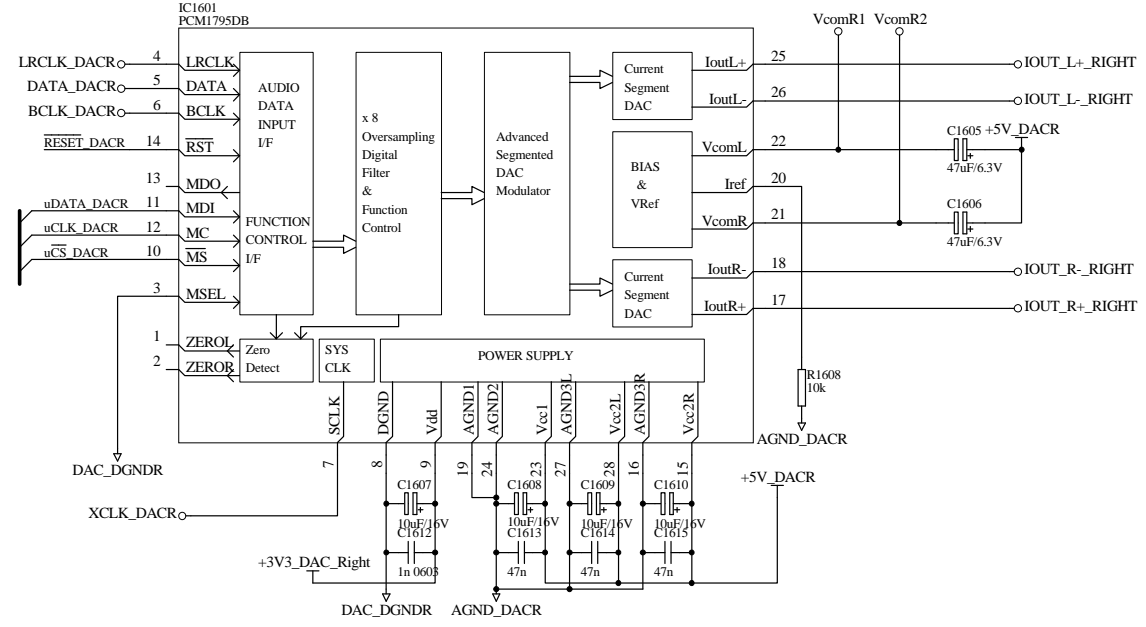
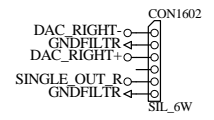
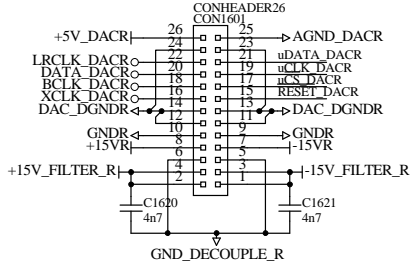
Title: Power supply Rectifiers



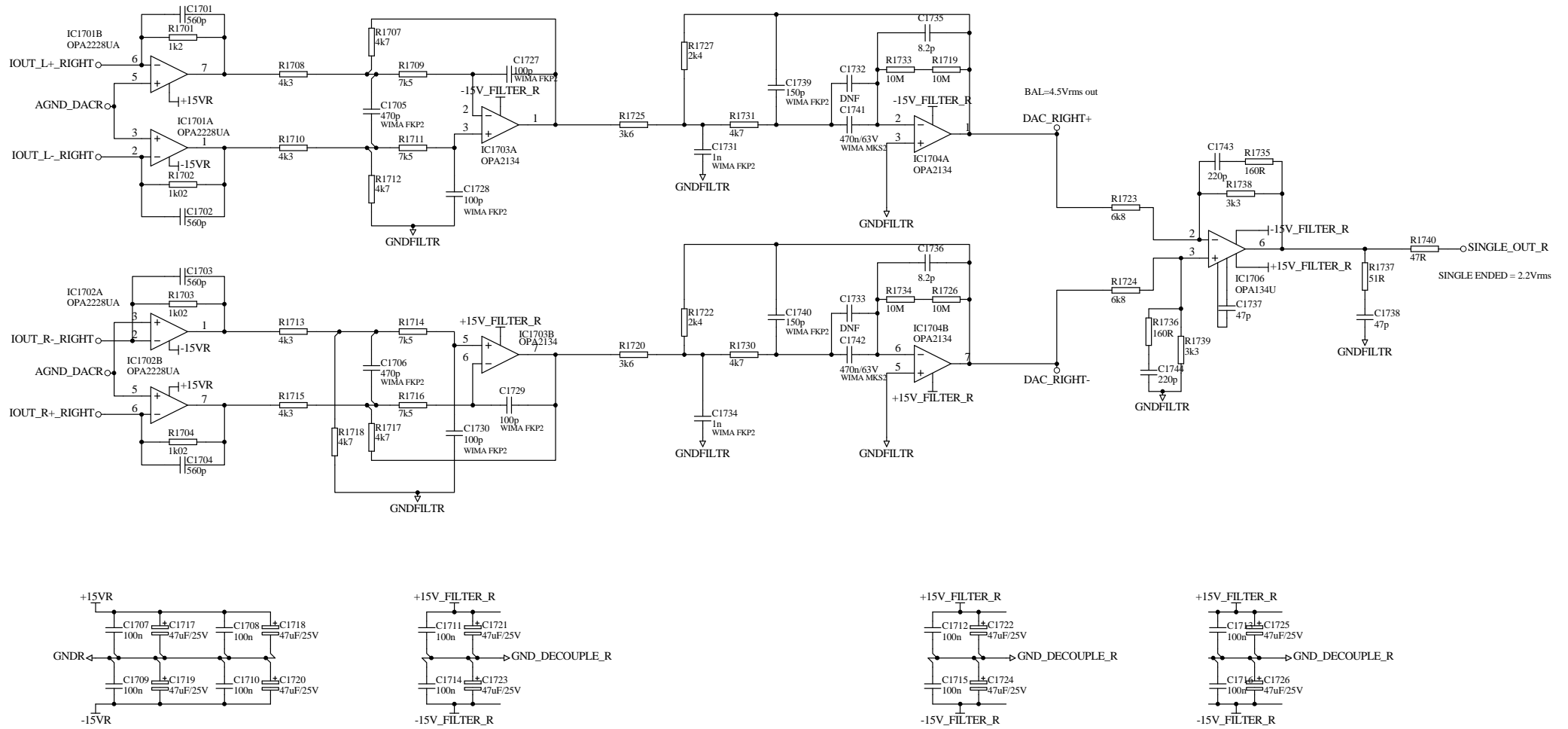
Description:

RIGHT CHANNEL

FROM MAIN BOARD



RIGHT CHANNEL



Description:

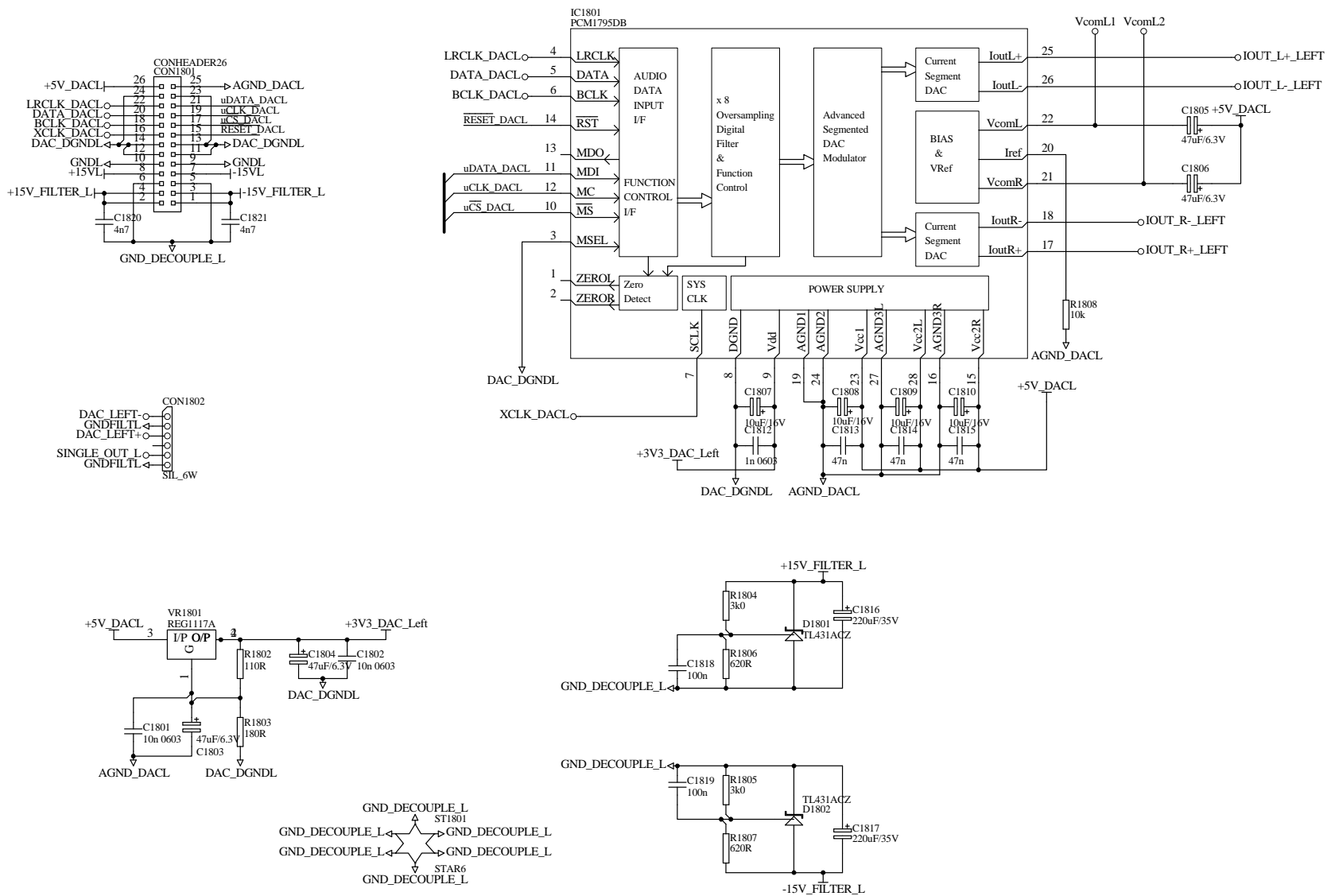
Sheet
7

Issue: 4
 Drawn date: 3-Apr-2017
 Print date: 3-Apr-2017
 Sheet 7 of 12

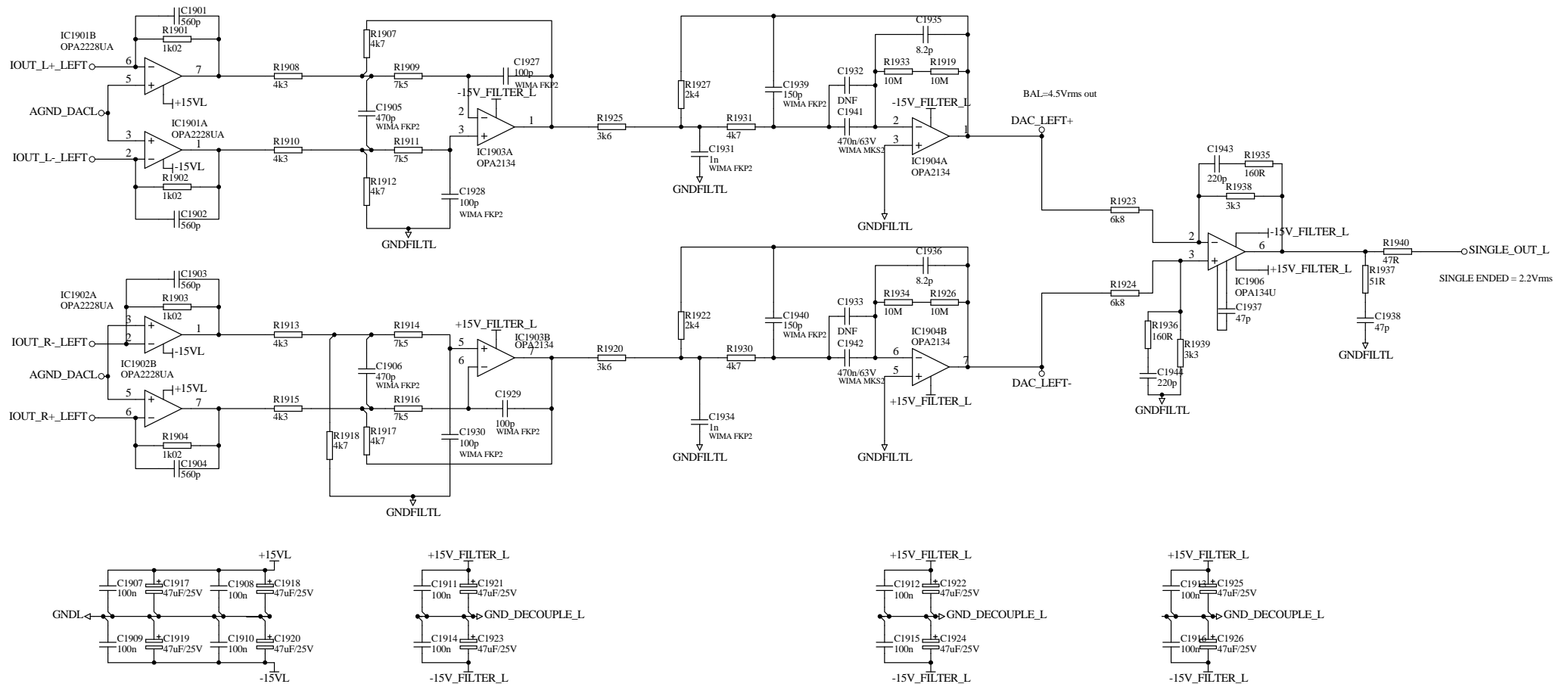
CYRUS®
 Huntingdon, United Kingdom.
 This drawing is the intellectual property of Cyrus Electronics Ltd.

Drawn by:
 Approved by:
 File Name: DAC_XP_SIG_DIG7
 Path: M:\Marty\DAC_XP_SIG_DIG.ddb - DAC_XP_SIG_DIG7

LEFT CHANNEL



LEFT CHANNEL



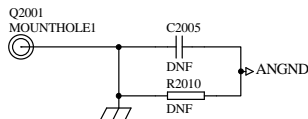
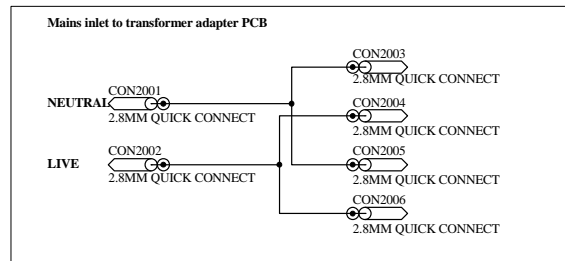
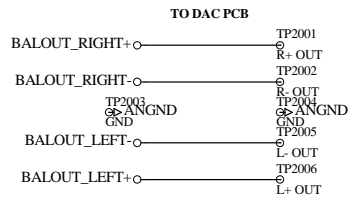
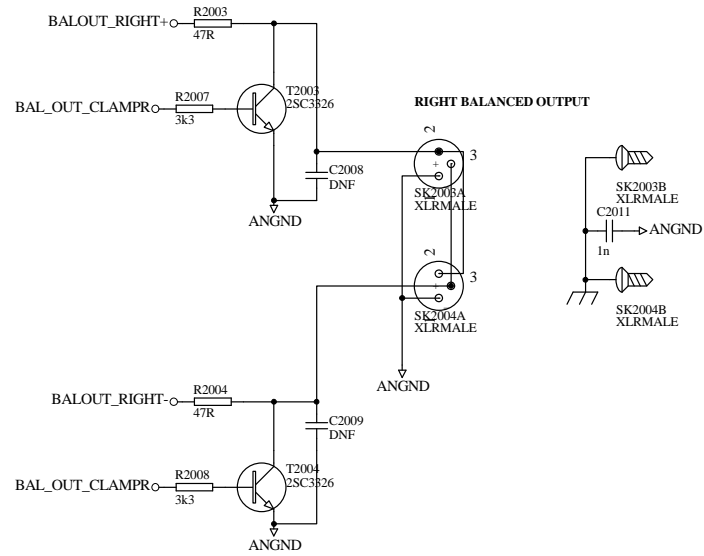
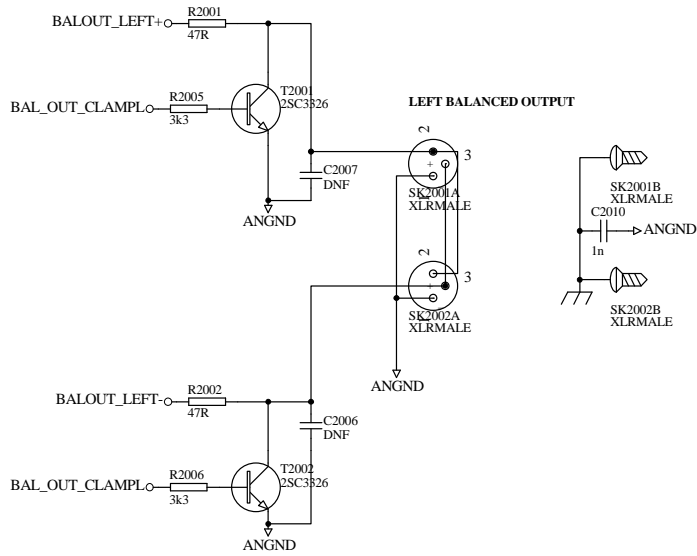
Description:

Sheet
9

Issue: 4
 Drawn date: 3-Apr-2017
 Print date: 3-Apr-2017
 Sheet 9 of 12

CYRUS®
 Huntingdon, United Kingdom.
 This drawing is the intellectual property of Cyrus Electronics Ltd.

Drawn by:
 Approved by:
 File Name: DAC_XP_SIG_DIG9
 DAC_XP_SIG_DIG9



Description:

Sheet 10
 Issue: 4
 Drawn date:
 Print date: 3-Apr-2017
 Sheet 10 of 12

CYRUS® Huntingdon, United Kingdom.
 This drawing is the intellectual property of Cyrus Electronics Ltd.
 Title: Balanced output
 Path: M:\Martyn\DAC XP SIG DIG.ddb - DAC XP SIG DIG10
 Drawn by:
 Approved by:
 File Name: DAC XP SIG DIG10

