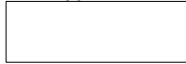
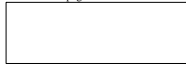


IS09 ANALOG UPGRADE

DAC XP SIG page1
DAC XP SIG page1.sch



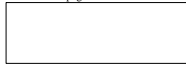
DAC XP SIG page2
DAC XP SIG page2.sch



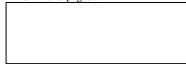
DAC XP SIG page3
DAC XP SIG page3.sch



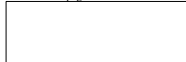
DAC XP SIG page4
DAC XP SIG page4.sch



DAC XP SIG page5
DAC XP SIG page5.sch



DAC XP SIG page6
DAC XP SIG page6.sch



Description:

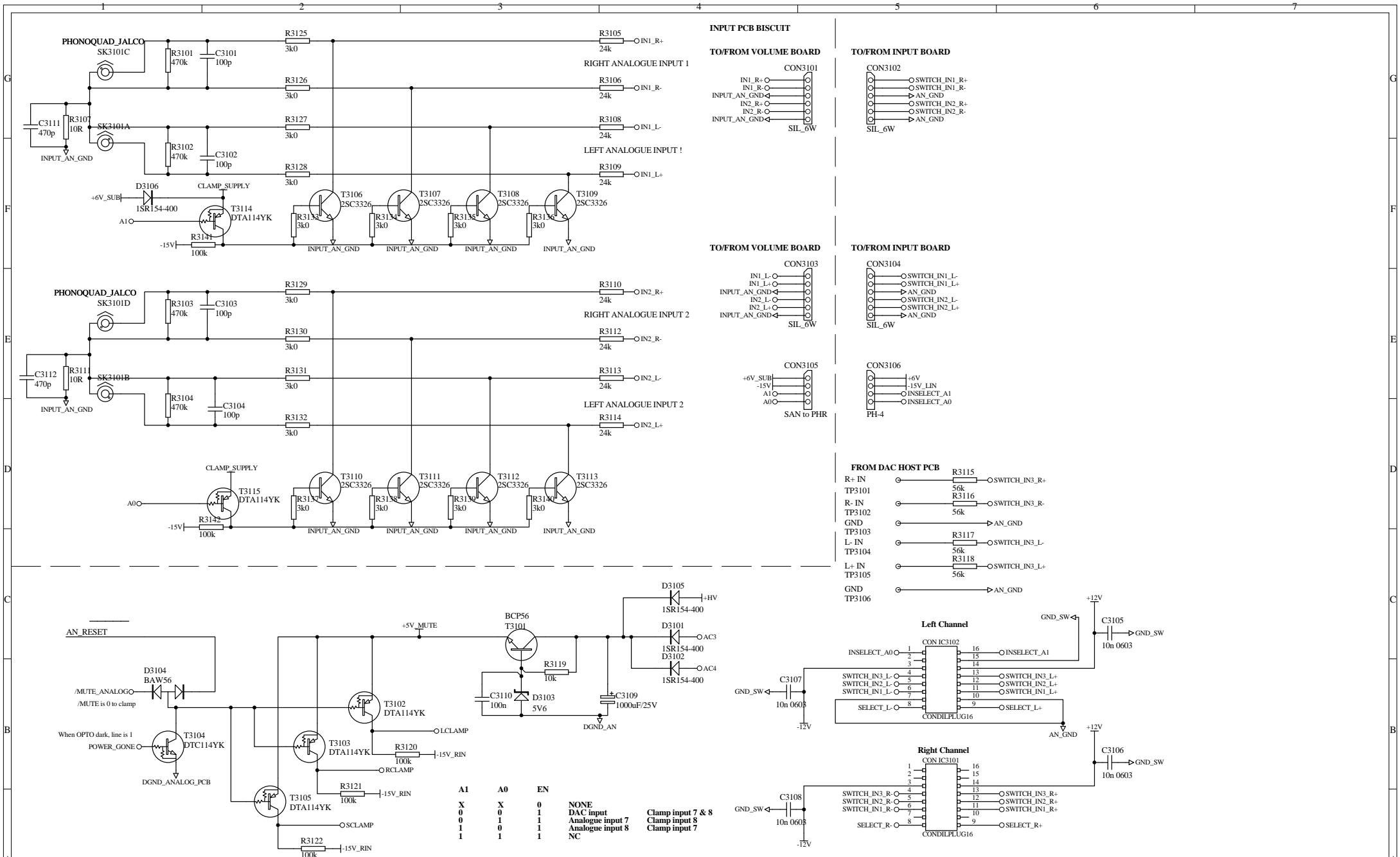
Sheet
0

Issue:	2.1
Drawn date:	
Print date:	3-Apr-2017
Sheet	0 of 0

CYRUS® Huntingdon, United Kingdom.
This drawing is the intellectual property of Cyrus Electronics Ltd.

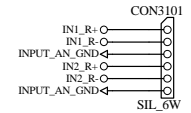
Drawn by:	
Approved by:	
File Name:	DAC XP SIG page0.sch

Path: M:\Martyn\DAC XP SIG.ddb - DAC XP SIG page0.sch

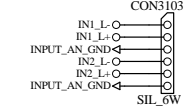


INPUT PCB BISCUIT

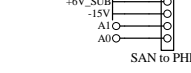
TO/FROM VOLUME BOARD



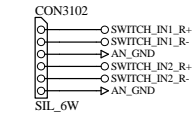
TO/FROM VOLUME BOARD



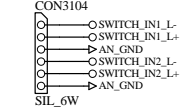
TO/FROM VOLUME BOARD



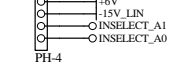
TO/FROM INPUT BOARD



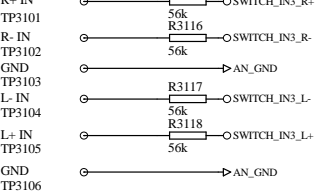
TO/FROM INPUT BOARD



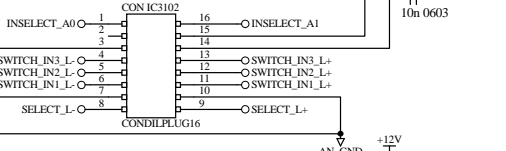
TO/FROM INPUT BOARD



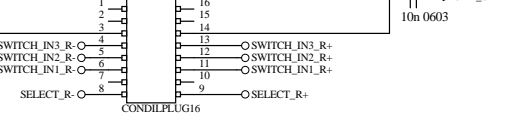
FROM DAC HOST PCB



Left Channel



Right Channel

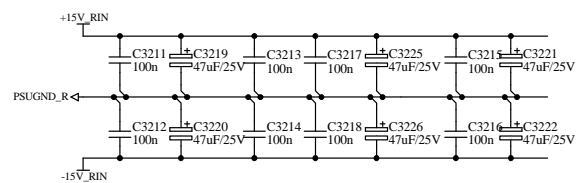
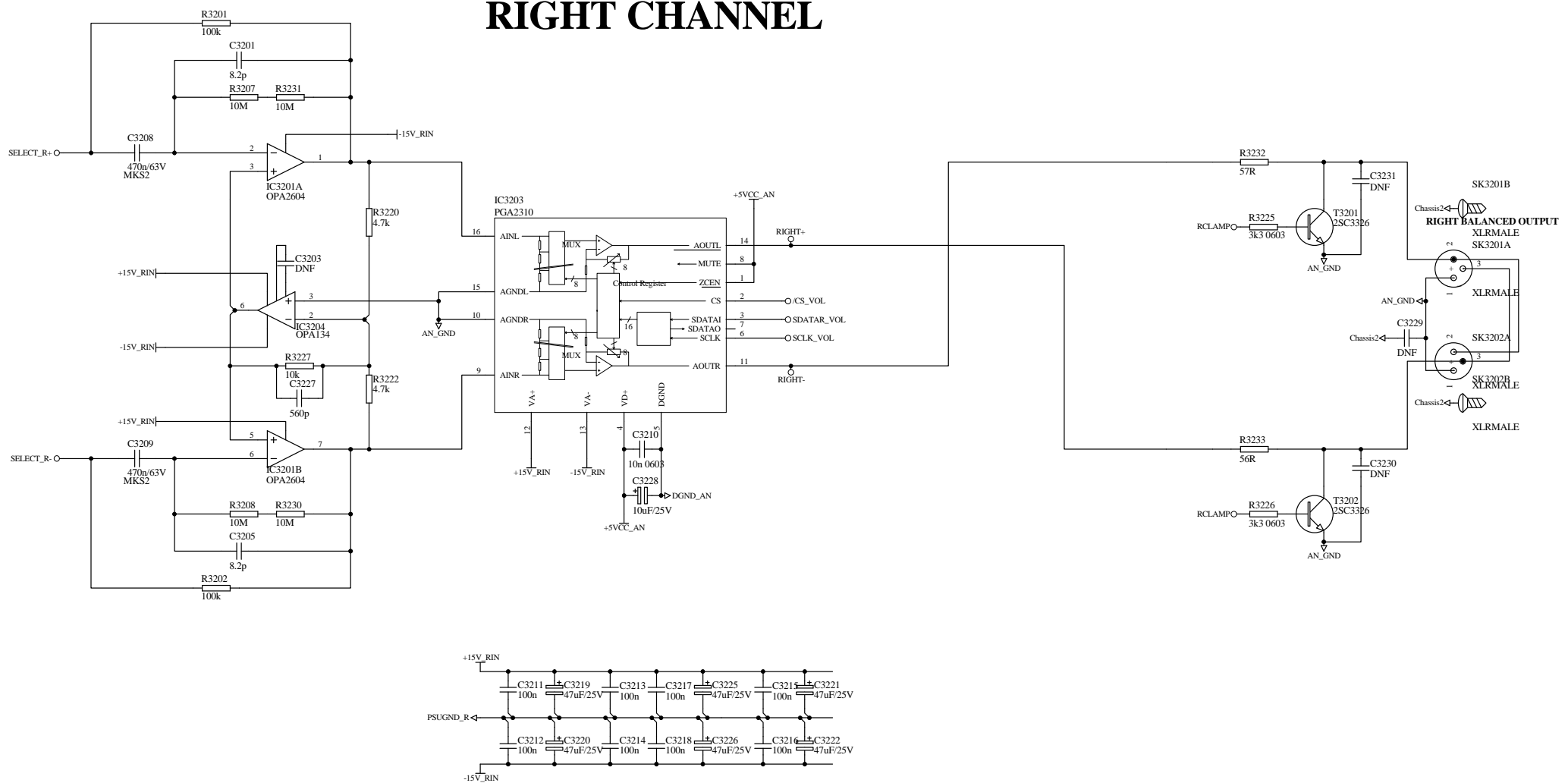


A1	A0	EN	
X	X	0	NONE
0	0	1	DAC input
0	1	1	Analogue input 7
1	0	1	Analogue input 8
1	1	1	NC

Clamp input 7 & 8
Clamp input 8
Clamp input 7

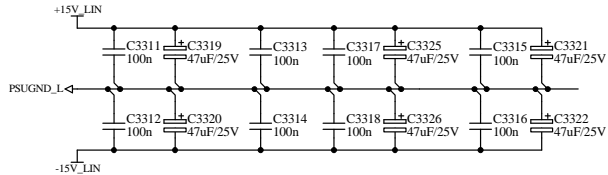
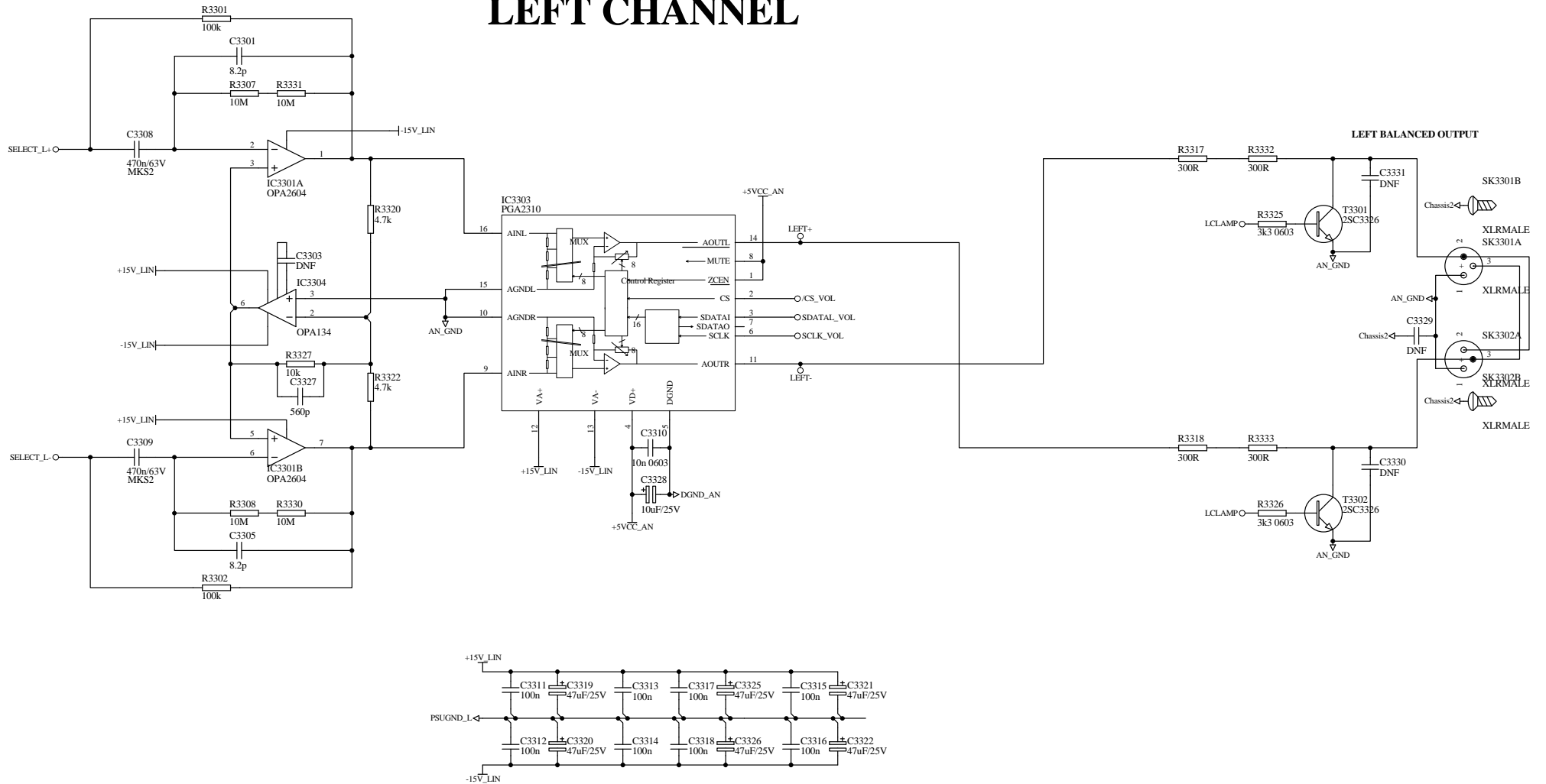
Description:
Issue 3:
Mute transistors added to input
D3105 added

RIGHT CHANNEL



Description:

LEFT CHANNEL



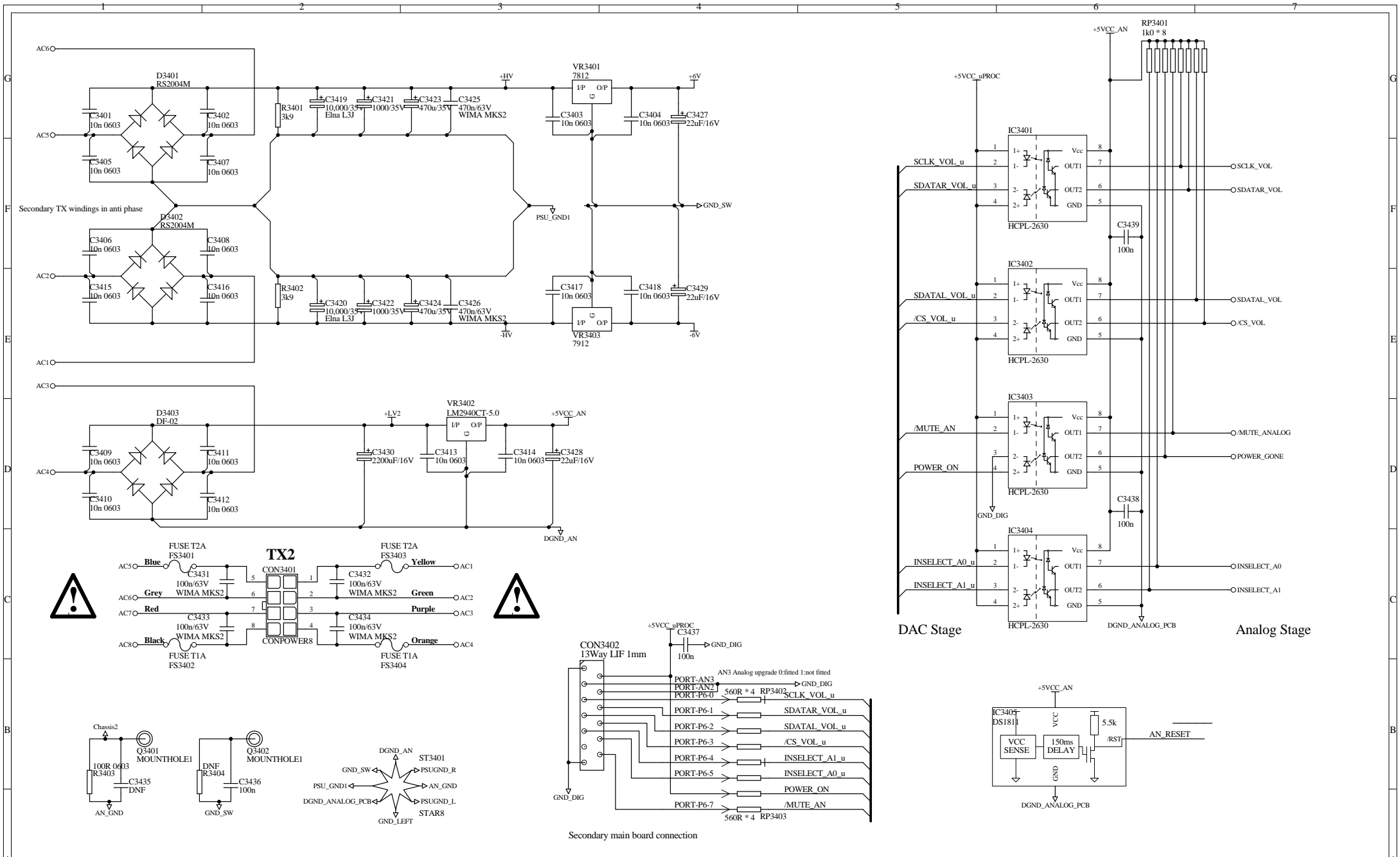
Description:

Sheet
3

Issue:
Drawn date:
Print date: 3-Apr-2017
Sheet 3 of 6

CYRUS® Huntingdon, United Kingdom.
This drawing is the intellectual property of Cyrus Electronics Ltd.
Title: Balanced output stage.


Drawn by:
Approved by:
File Name: DAC XP SIG page3.sch
Path: M:\Martyn\DAC XP SIG.ddb - DAC XP SIG page3.sch



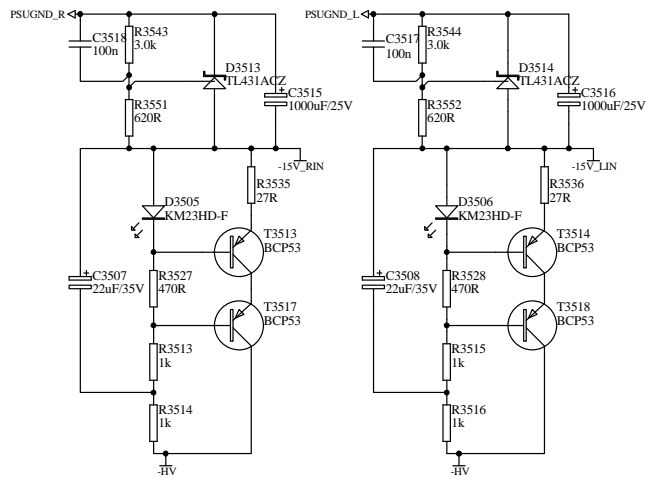
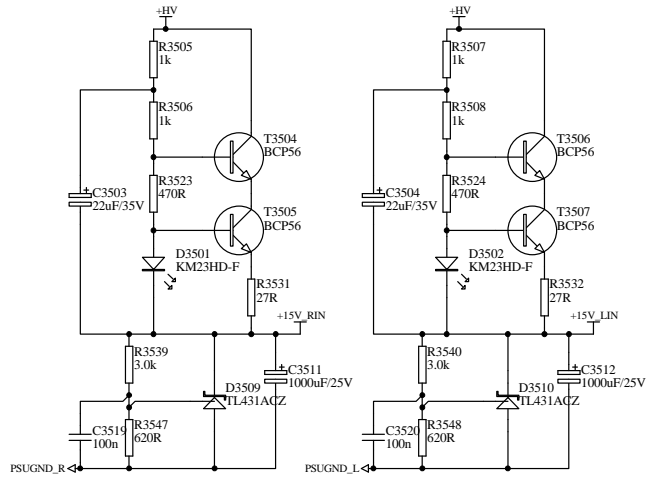
Description:  SAFETY CRITICAL COMPONENT
REPLACE WITH APPROVED PART

Sheet
4

Issue:
Drawn date:
Print date: 3-Apr-2017
Sheet 4 of 6

CYRUS  Huntingdon, United Kingdom.
This drawing is the intellectual property of Cyrus Electronics Ltd.

Drawn by:
Approved by:
File Name: DAC XP SIG page4.sch
DAC XP SIG page4.sch



Description:

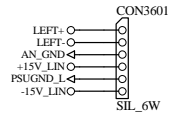
Sheet
5

Issue:
Drawn date:
Print date: 3-Apr-2017
Sheet 5 of 6

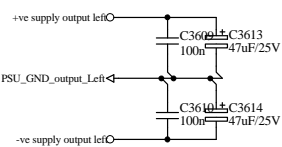
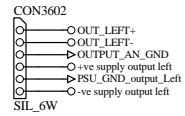
CYRUS®
Huntingdon, United Kingdom.
This drawing is the intellectual property of Cyrus Electronics Ltd.

Drawn by:
Approved by:
File Name: DAC XP SIG page5.sch
Path: M:\Martyr\DAC XP SIG.ddb - DAC XP SIG page5.sch

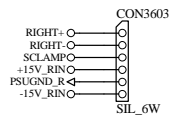
TO/FROM OUTPUT BOARD



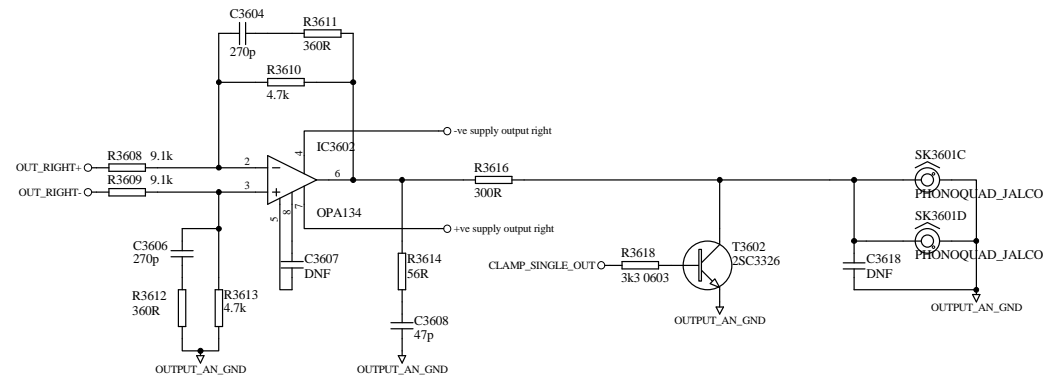
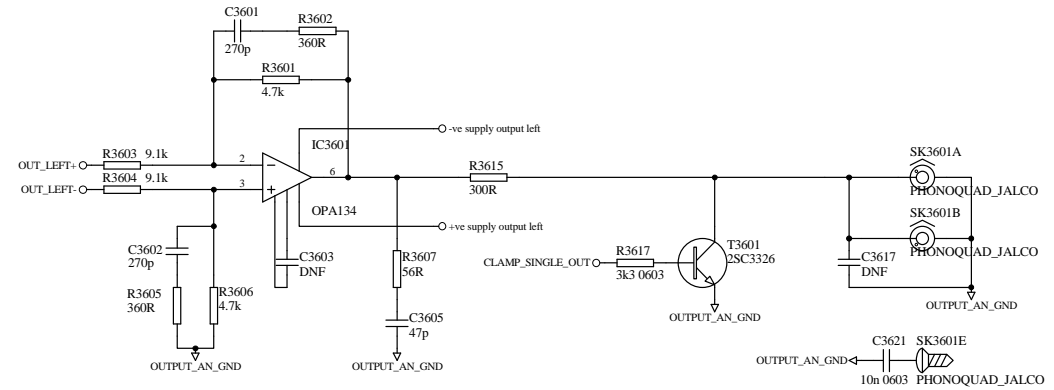
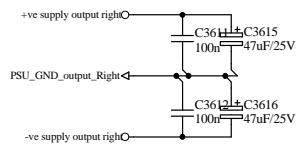
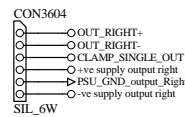
TO/FROM VOLUME BOARD



TO/FROM OUTPUT BOARD



TO/FROM VOLUME BOARD



Description:

Sheet
6

Issue:
Drawn date:
Print date: 3-Apr-2017
Sheet 6 of 6

CYRUS® Huntingdon, United Kingdom.
This drawing is the intellectual property of Cyrus Electronics Ltd.

Drawn by:
Approved by:
File Name: DAC XP SIG page6.sch
Path: M:\Martyn\DAC XP SIG.ddb - DAC XP SIG page6.sch